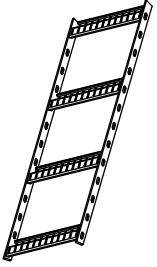


CABLE TRAYS AND RACKS

RESEARCH TOOL & DIE WORKS

17124 SOUTH KEEGAN AVE. CARSON, CA 90746
PH 310.639.5722 FX 310.639.9606
WWW.RTND.COM EMAIL CUSTSERV@RTND.COM

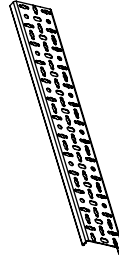
CABLE TRAYS AND RACKS



CABLE RACK
HEAVY DUTY
STRAIGHT

CTRXXX0900 - CTRXXX2700 STEEL

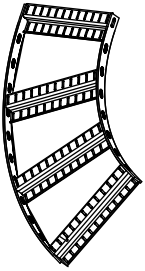
P. 1-3



CABLE TRAY
HEAVY DUTY

CTRXX0600 - CTRXX2850 STEEL

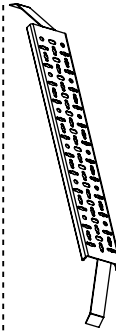
P. 1-7



CABLE RACK
HEAVY DUTY
FLAT BEND
30°, 45°, 60°

CTFXXX30 - CTFXXX60 STEEL

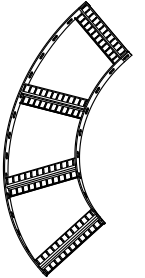
P. 1-4



CABLE TRAY
HEAVY DUTY
TABBED

CTR040600T - CTR042000T STEEL

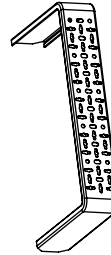
P. 1-8



CABLE RACK
HEAVY DUTY
FLAT BEND 90°

CTFRXXX300 - CTFRXXX450 STEEL

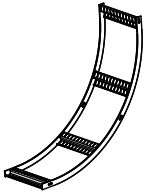
P. 1-5



CABLE TRAY
HEAVY DUTY
TABBED

CTU011203 - CTU066017 STEEL

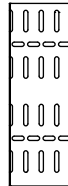
P. 1-9



CABLE RACK
HEAVY DUTY
RISER BEND

CTFAXXX300 - CTFAXXX950 STEEL

P. 1-6



CABLE TRAY
LIGHT DUTY

CTR20-050 - CTR20-200 STAINLESS

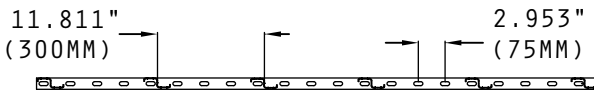
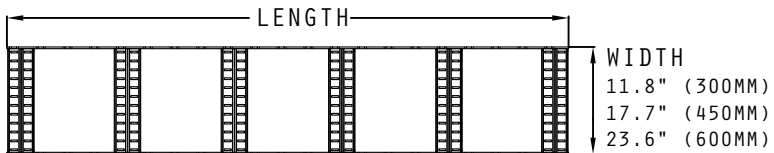
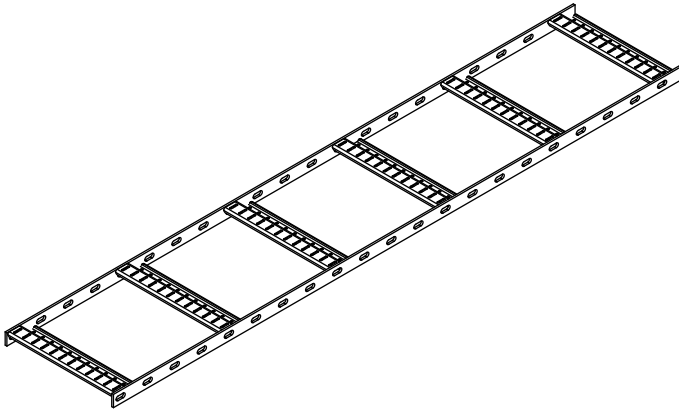
P. 1-10

CABLE TRAYS AND RACKS

NOTES:

CABLE RACK

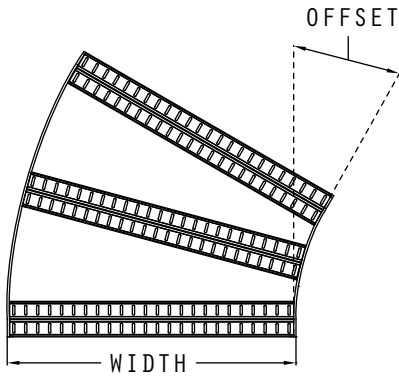
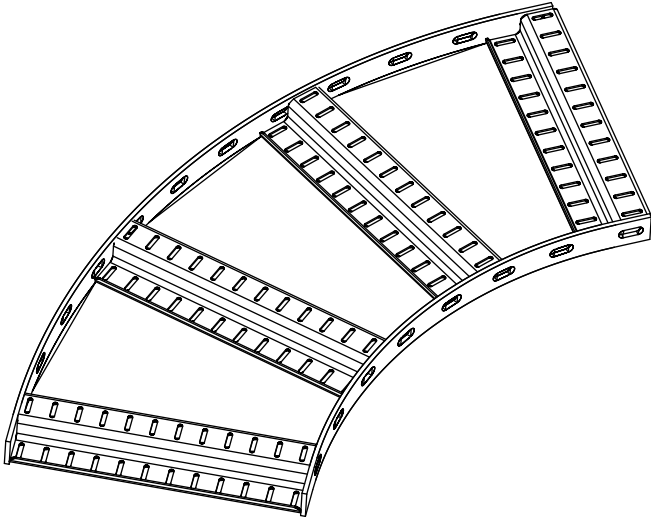
STRAIGHT



STEEL	
XXX = AVAILABLE WIDTHS OF 300 (11.8"), 450 (17.7"), 600 (23.6")	
PART NUMBER	LENGTH
CTRXXX0900	26.5"
CTRXXX1200	38.3"
CTRXXX1500	50.2"
CTRXXX1800	62.0"
CTRXXX2100	73.8"
CTRXXX2400	85.6"
CTRXXX2700	97.4"

CABLE RACK

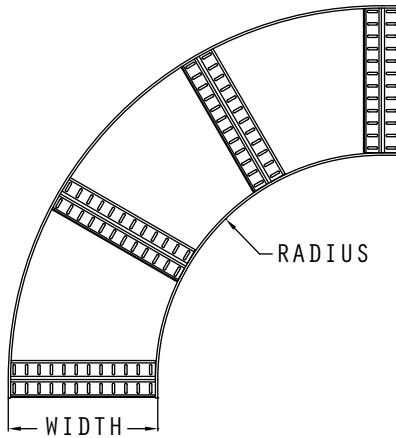
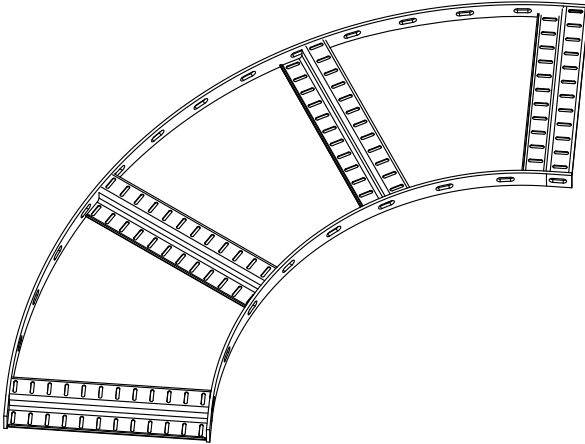
FLAT BEND 30°, 45°, 60°



STEEL	
XXX = AVAILABLE WIDTHS OF 300 (11.8"), 450 (17.7"), 600 (23.6")	
PART NUMBER	OFFSET
CTFXXX30	30°
CTFXXX45	45°
CTFXXX60	60°

CABLE RACK

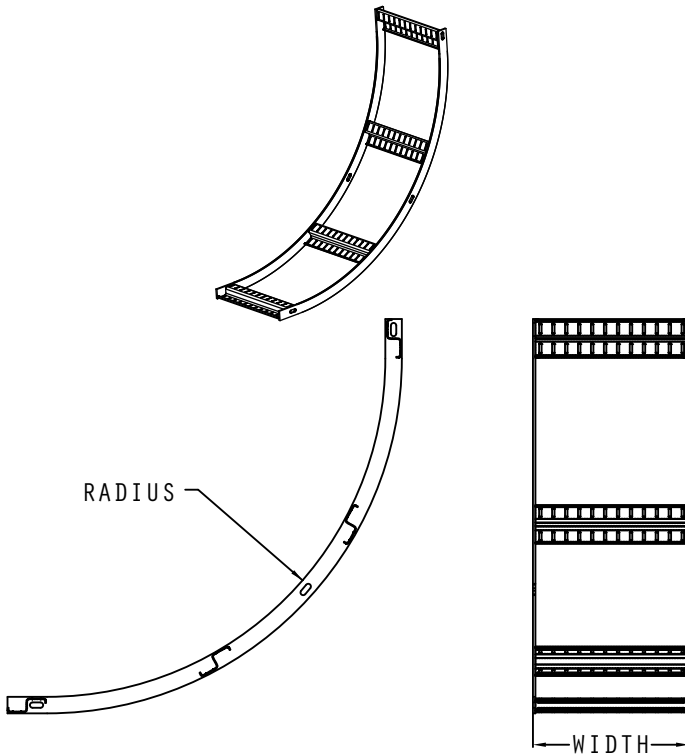
FLAT BEND 90°



STEEL	
XXX = AVAILABLE WIDTHS OF 300 (11.8"), 450 (17.7"), 600 (23.6")	
PART NUMBER	RADIUS
CTFRXXX300	300MM (11.8")
CTFRXXX450	450MM (17.7")

CABLE RACK

RISER BEND

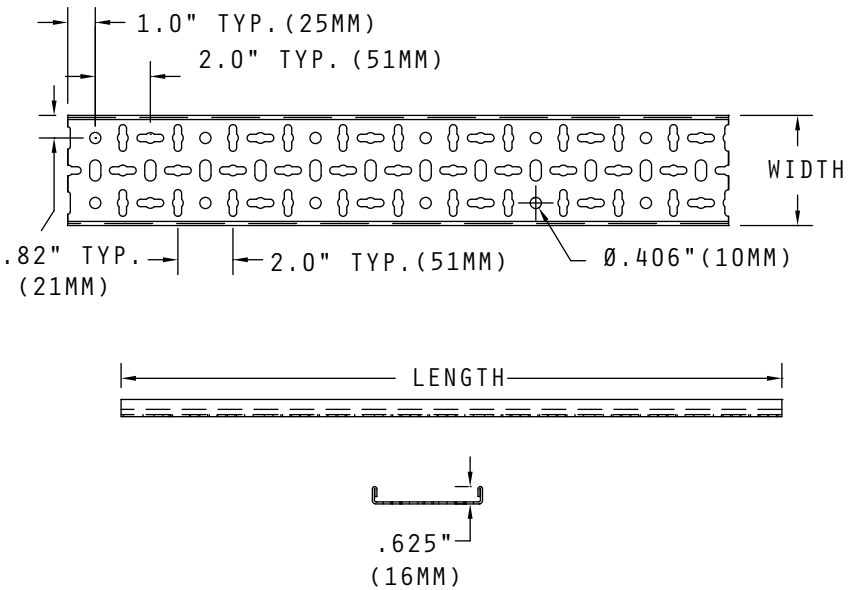
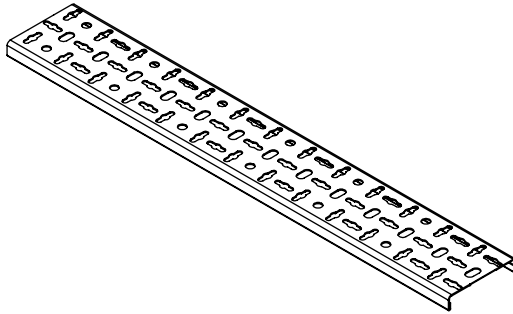


STEEL	
XXX = AVAILABLE WIDTHS OF 300 (11.8"), 450 (17.7"), 600 (23.6")	
PART NUMBER	RADIUS
CTFAXXX300	300MM (11.8")
CTFAXXX450	450MM (17.7")
CTFAXXX550	550MM (21.7")
CTFAXXX575	575MM (22.6")
CTFAXXX650	650MM (25.5")
CTFAXXX700	700MM (27.6")
CTFAXXX750	750MM (29.5")
CTFAXXX825	825MM (32.5")
CTFAXXX850	850MM (33.5")
CTFAXXX950	950MM (37.4")

NOTE:
 300MM (11.8") WIDE RACKS ONLY AVAILABLE WITH RADIUS UP TO 650MM (25.5")
 450MM (17.7") WIDE RACKS ONLY AVAILABLE WITH RADIUS UP TO 750MM (29.5")

CABLE TRAY

HEAVY DUTY TRAY



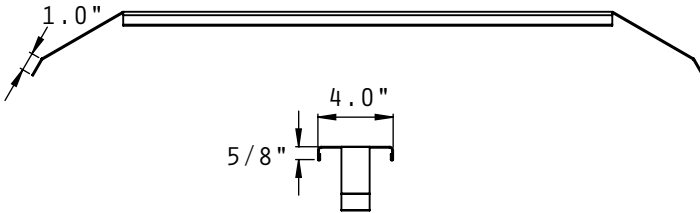
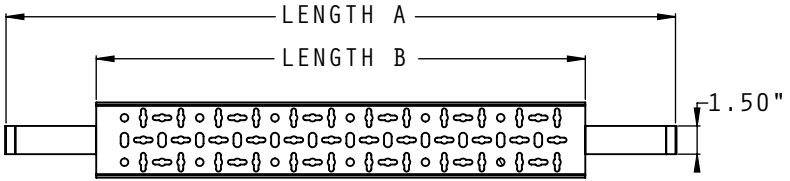
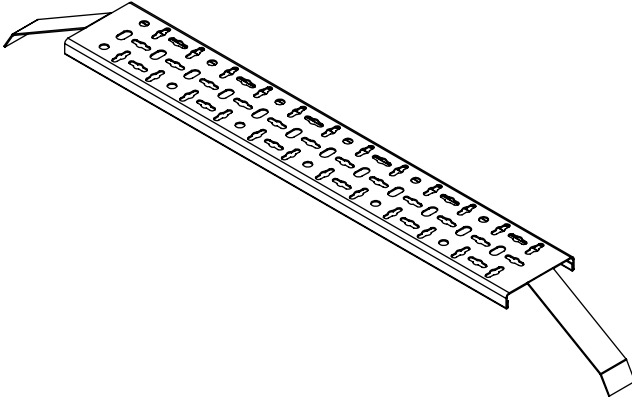
STEEL

XX = AVAILABLE WIDTHS OF 4", 6", 8", 12"

PART NUMBER	LENGTH
CTRXX0600	24" (600MM)
CTRXX1000	40" (1000MM)
CTRXX1500	60" (1500MM)
CTRXX2000	80" (2000MM)
CTRXX2500	96" (2500MM)
CTRXX2850	112" (2850MM)

CABLE TRAY

HEAVY DUTY TABBED TRAY

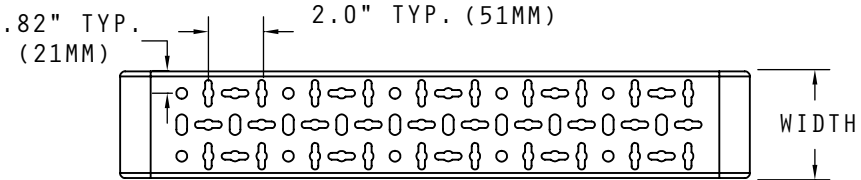
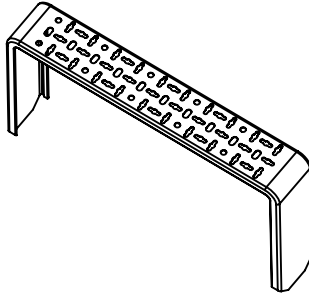


NOTE: TABS TO BE BENT TO DESIRED CLEARANCE

STEEL		
PART NUMBER	LENGTH A	LENGTH B
CTR040600T	38.0" (965MM)	26.0" (660MM)
CTR041000T	50.0" (1270MM)	38.0" (965MM)
CTR041500T	74.0" (1879MM)	62.0" (1574MM)
CTR042000T	86.0" (2184MM)	74.0" (1879MM)

CABLE TRAY

HEAVY DUTY BENT TRAY

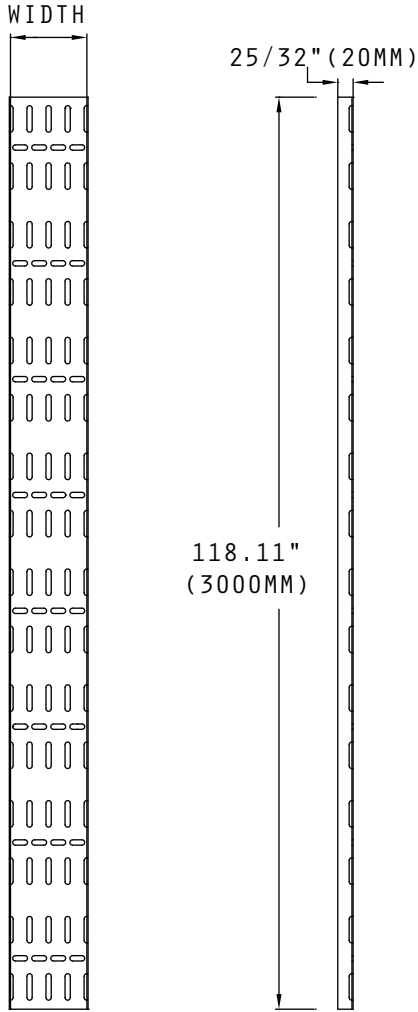


*****MINIMUM ORDER QUANTITY APPLICABLE*****

STEEL		
AVAILABLE WIDTHS OF 1.6" (40mm), 4" (100mm), AND 6" (150mm)		
AVAILABLE LENGTHS OF 12" (300mm), 24" (600mm), 40" (1000mm), 60" (1500mm) AND 80" (2000mm) <small>*ALL LENGTHS NOT AVAILABLE IN ALL SIZES</small>		
AVAILABLE HEIGHTS OF 3" (75mm), 8" (200mm), 12" (300mm), AND 17.5" (450mm)		
1.6" (40mm) WIDE PART NUMBER	4" (100mm) WIDE PART NUMBER	6" (150mm) WIDE PART NUMBER
CTU011203 - CTU014017	CTU041203 - CTU048017	CTU061203 - CTU066017

CABLE TRAY

LIGHT DUTY



STEEL PARTS POWDER COATED

PART NUMBER		WIDTH
STAINLESS	STEEL	
CTR20-050	CTR20-050S	1.969" (50MM)
CTR20-100	CTR20-100S	3.937" (100MM)
CTR20-150	CTR20-150S	5.906" (150MM)
CTR20-200	CTR20-200S	7.874" (200MM)
CTR20-300	CTR20-300S	11.811" (300MM)

DOWNCOMER AND ACCESSORIES

RESEARCH TOOL & DIE WORKS

17124 SOUTH KEEGAN AVE. CARSON, CA 90746
PH 310.639.5722 FX 310.639.9606
WWW.RTND.COM EMAIL CUSTSERV@RTND.COM

DOWNCOMERS AND ACCESSORIES



UNIVERSAL ANGLE

3ADA-03U - 3ADA-120U ALUMINUM
3ADS-03U - 3ADS-120U STEEL
3ADSS-03U - 3ADSS-120U STAINLESS

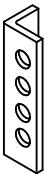
P. 2-18



SQUARE TUBE EXTENSION ADAPTER

RDA-5 ALUMINUM
RD-5 STEEL

P. 2-23



METRIC ANGLE

3ADS-180 - 3ADS-3000 STEEL

P. 2-19



ANGLE IRON

2A-03 - 2A-41 STEEL
2A-03A - 2A-41A ALUMINUM

P. 2-24



NAVY STANDARD ANGLE

3ADA-03 - 3ADA-36 ALUMINUM
3ADS-03 - 3ADS-48 STEEL
3ADSS-03 - 3ADSS-48 STAINLESS
**Part number equals one pair.*

P. 2-20



FLAT BAR

2F-03 - 2F-15 STEEL
2F-03A - 2F-15A ALUMINUM

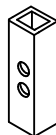
P. 2-25



CHANNEL

3CD-03 - 3CD-120 ALUMINUM
3CDS-03 - 3CDS-120 STEEL
3CDSS-03 - 3CDSS-120 STAINLESS

P. 2-21



MOUNTING ADAPTERS

3ADPS-0
3ADPA *obsolete
3ADPS-4B
3ADPA-4B

P. 2-26



SQUARE TUBE

RTA-06 - RTA-36 ALUMINUM
RT-06 - RT-36 STEEL

P. 2-22



CABLE RETAINER

3STKS-03 - 3STKS-24 STEEL
3STKC-03 - 3STKC-24 STAINLESS

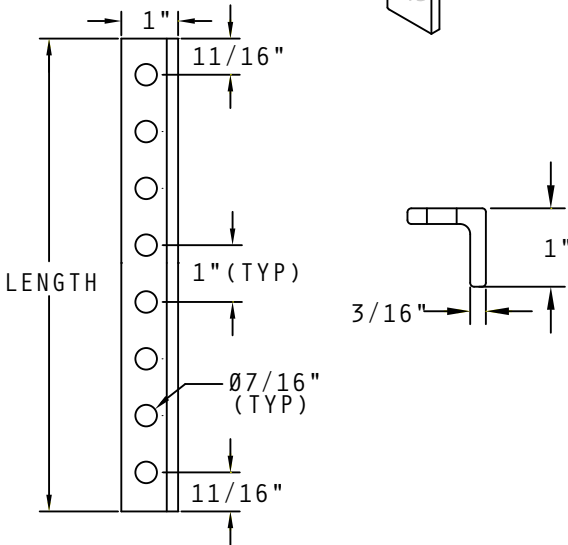
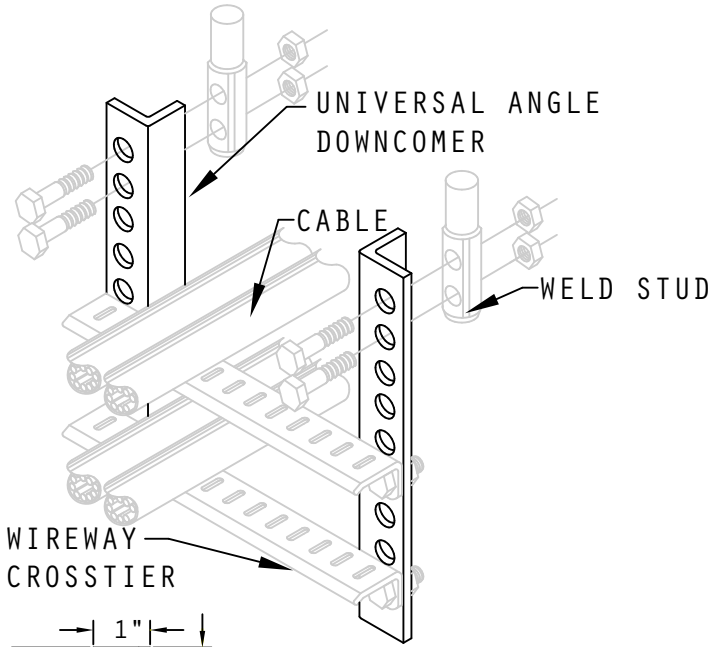
P. 2-27

DOWNCOMER AND ACCESSORIES

NOTES:

UNIVERSAL ANGLE

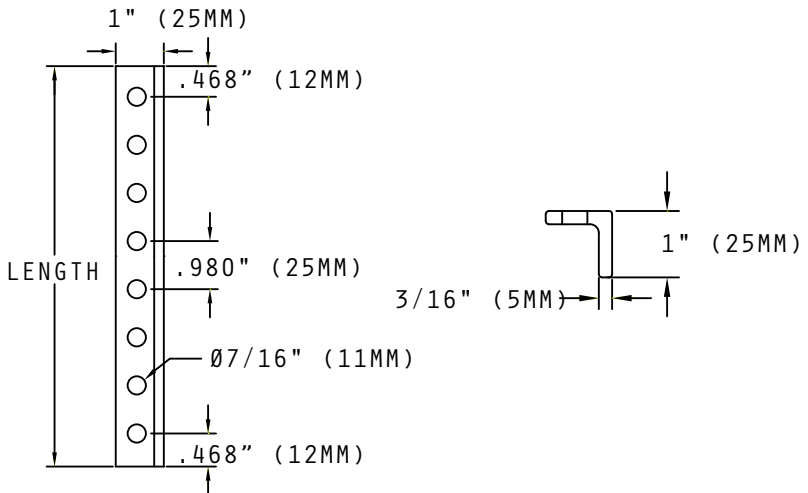
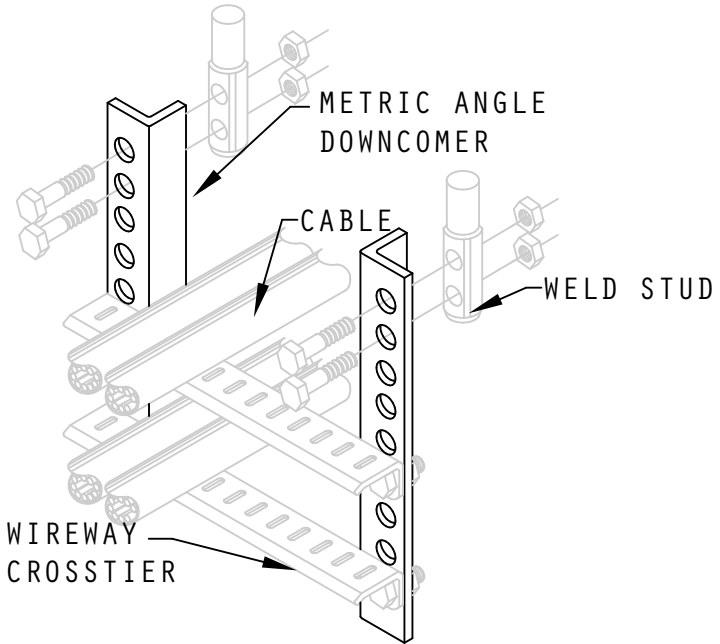
WELD STUD MOUNTING



AVAILABLE IN 1" INCREMENTS FROM 3 3/8" TO 48 3/8" & 120 3/8"		
ADDITIONAL SIZES AVAILABLE ON REQUEST		
ALUMINUM	STEEL	STAINLESS
3ADA-03U - 3ADA-120U	3ADS-03U - 3ADS-120U	3ADSS-03U - 3ADSS-120U

METRIC ANGLE

WELD STUD MOUNTING



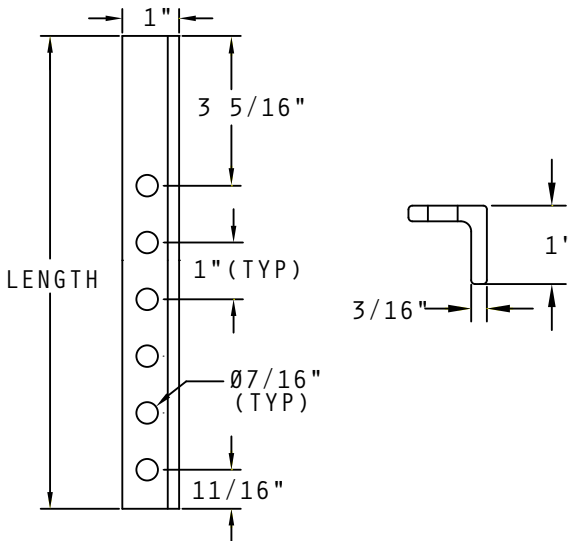
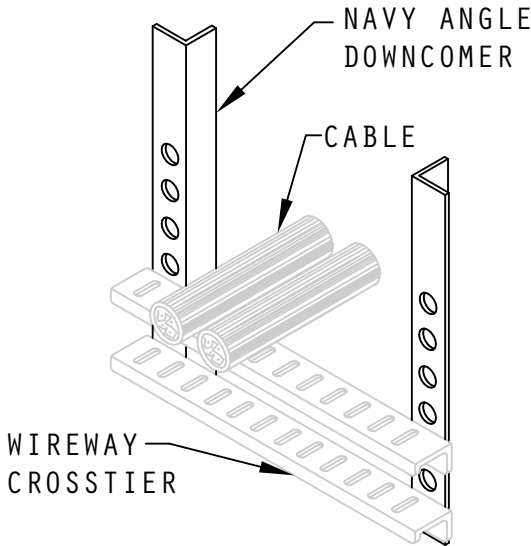
AVAILABLE IN 25MM INCREMENTS FROM 180MM TO 300MM

STEEL

3ADS-0180 - 3ADS-3000

NAVY STANDARD ANGLE

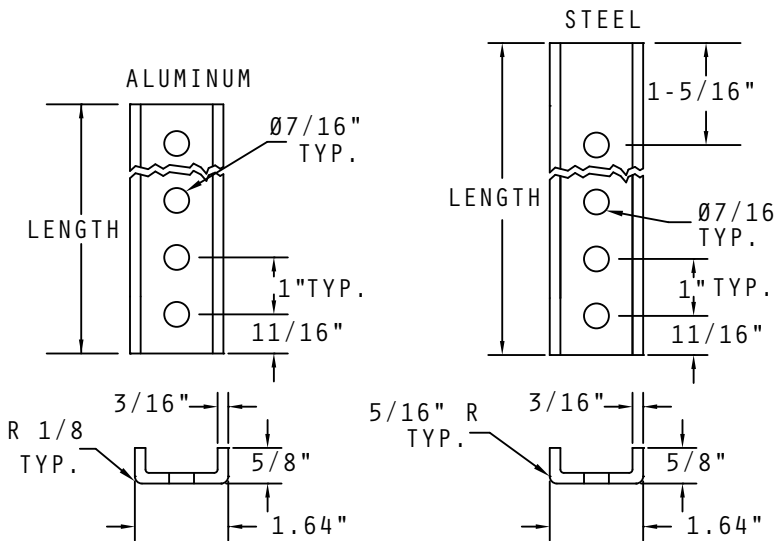
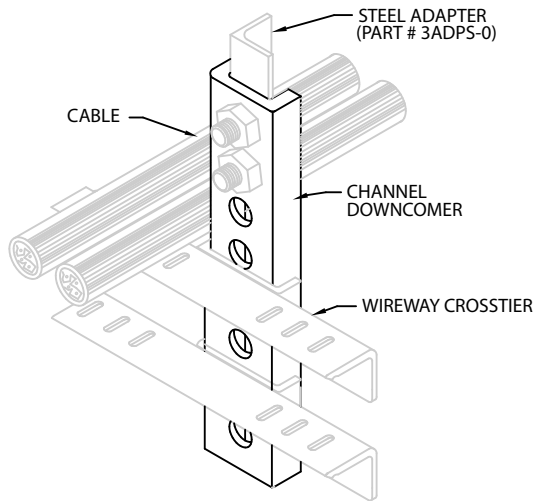
WELD MOUNTING



*PART NUMBER EQUALS ONE PAIR

AVAILABLE IN 1" INCREMENTS FROM 3" TO 48"		
ALUMINUM	STEEL	STAINLESS
3ADA-03 - 3ADA-36	3ADS-03 - 3ADS-48	3ADSS-03 - 3ADSS-48

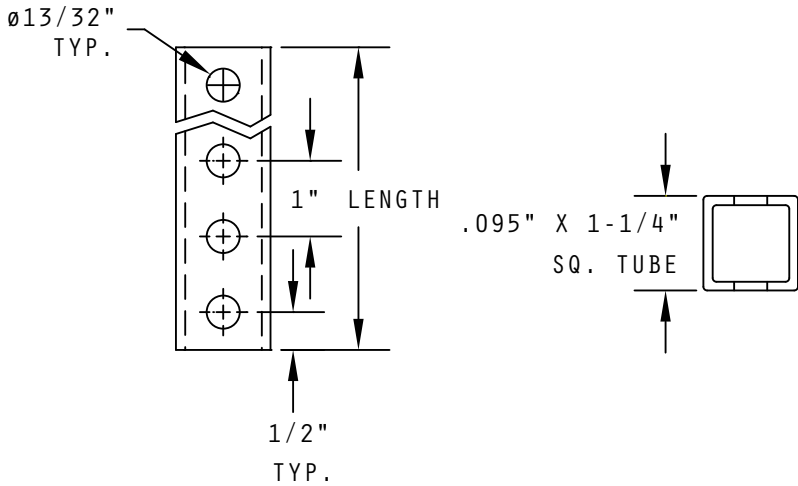
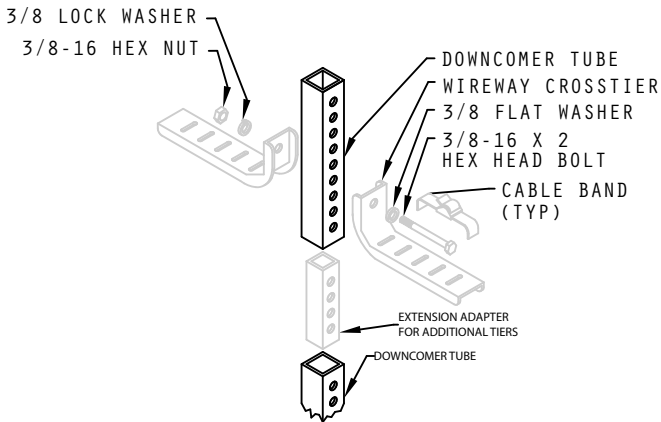
CHANNEL



MANUFACTURED IN STRICT COMPLIANCE WITH E.P.I.S.M. DRAWING NO. 803-5001027

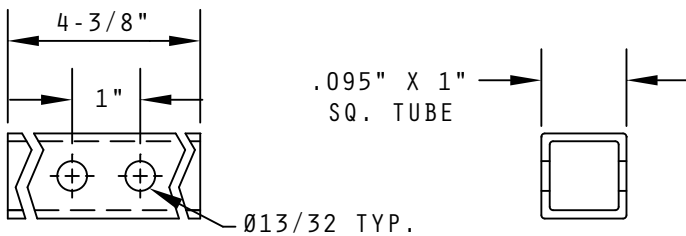
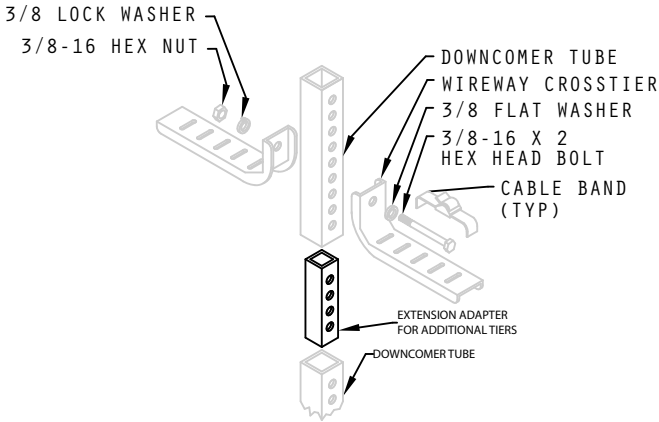
AVAILABLE IN 1" INCREMENTS FROM 3 3/8" TO 36 3/8" & 120 3/8"	AVAILABLE IN 1" INCREMENTS FROM 4" TO 48" & 120"
ADDITIONAL SIZES AVAILABLE ON REQUEST	
ALUMINUM	STEEL
3CD-03 - 3CD-120	3CDS-04 - 3CDS-120

SQUARE TUBE



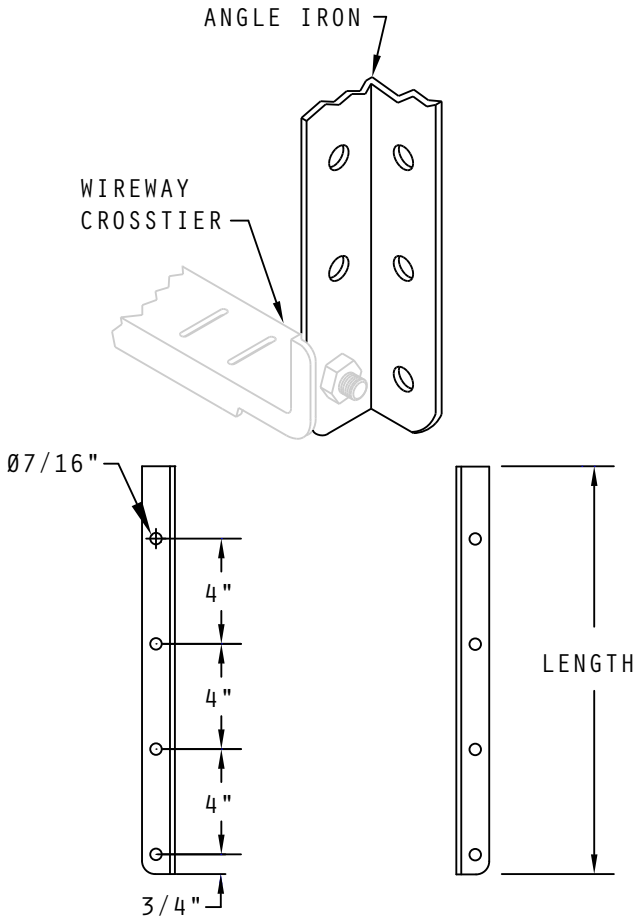
AVAILABLE IN 1" INCREMENTS FROM 6" - 36"	
ADDITIONAL SIZES AVAILABLE ON REQUEST	
ALUMINUM	STEEL
RTA-06 - RTA-36	RT-06 - RT-36

SQUARE TUBE EXTENSION ADAPTER



ALUMINUM	STEEL
RDA-5	RD-5

ANGLE IRON

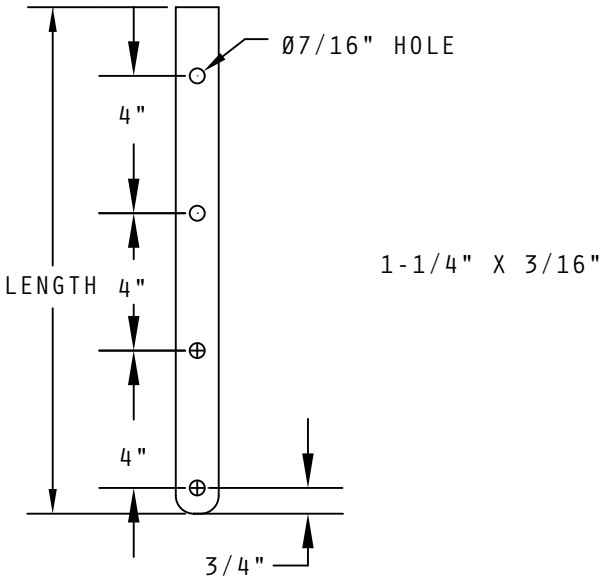
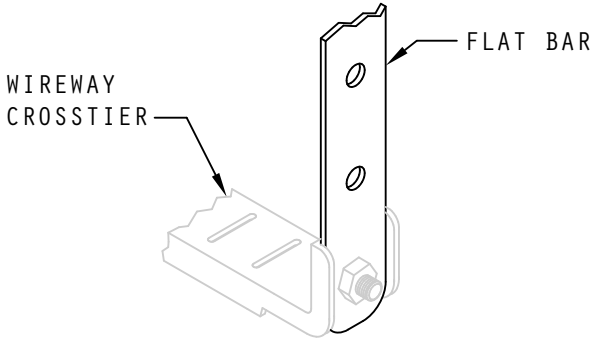


1-1/4" X 1-1/4" X 3/16"

ADDITIONAL SIZES AVAILABLE ON REQUEST

AVAILABLE IN 2" INCREMENTS FROM 3 1/2" TO 41 1/2"	
STEEL	
PART NUMBER	NUMBER OF HOLES
2A-03 - 2A-05	1
2A-07 - 2A-09	2
2A-11 - 2A-13	3
2A-15 - 2A-39	4
2A-41	5

FLAT BAR

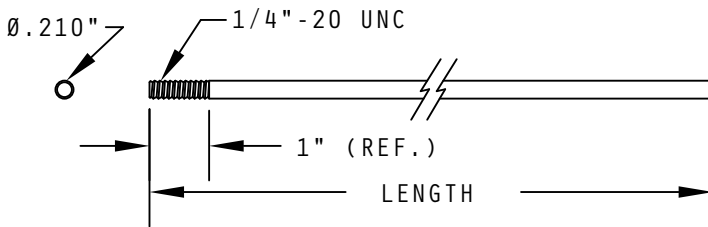
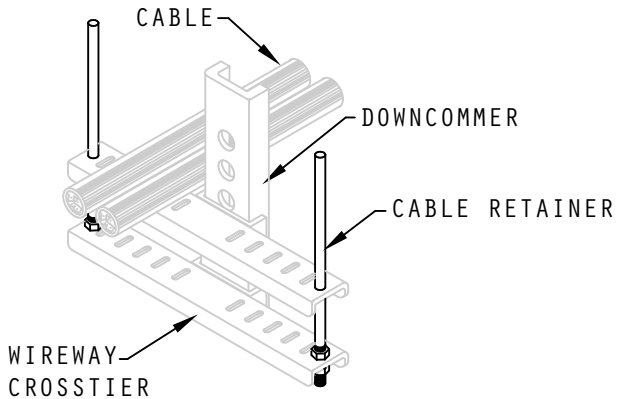


ALSO AVAILABLE IN ALUMINUM

AVAILABLE IN 2" INCREMENTS FROM 3 1/2" TO 15 1/2"	
STEEL	
PART NUMBER	NUMBER OF HOLES
2F-03 - 2F-05	1
2F-07 - 2F-09	2
2F-11 - 2F-13	3
2F-15	4

CABLE RETAINER

DESIGNED TO BE USED IN 3MOR-XX AND 3MAX-XX
MILITARY OPTIONAL REPLACEMENT CROSSTIER



REDUCES BANDING REQUIREMENTS &
HELPS STABILIZE OFF CENTER LOADS

NOTE: MILD STEEL RETAINER IS ZINC PLATED

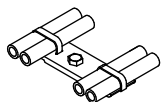
AVAILABLE IN 2" INCREMENTS FROM 3" TO 24"	
ADDITIONAL SIZES AVAILABLE ON REQUEST	
STEEL	STAINLESS
3STKS-03 - 3STKS-24	3STKC-03 - 3STKC-24

INTERMEDIATE WIREWAYS

RESEARCH TOOL & DIE WORKS

17124 SOUTH KEEGAN AVE. CARSON, CA 90746
PH 310.639.5722 FX 310.639.9606
WWW.RTND.COM EMAIL CUSTSERV@RTND.COM

INTERMEDIATE WIREWAYS



9T WIREWAY

9TA06 - 9TA16 ALUMINUM
9TO6 - 9T16 STEEL
9TC06 - 9TC16 STAINLESS

P. 3-3

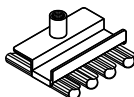
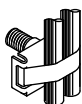


PLATE HANGERS

RTW620B - RTW680B STEEL *BOTTOM LOADING*
RTW620T - RTW680T STEEL *TOP LOADING*

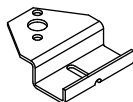
P. 3-8



T-BAR HANGER INTERMEDIATE

RTD7150A - RTD7750A ALUMINUM
RTD7150 - RTD7750 STEEL
RTD7150S - RTD7750S STAINLESS

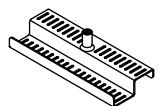
P. 3-4



CABLE SUPPORT

RTD6075A - RTD6600A ALUMINUM
RTD6075 - RTD6600 STEEL

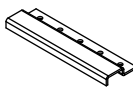
P. 3-9



SHOTGUN HANGER

RTWSG30MS - RTWSG70MS STEEL

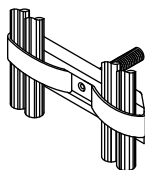
P. 3-5



CABLE SUPPORT HONEYCOMB SINGLE

RT60201A - RT60801A ALUMINUM
RT60201 - RT60801 STEEL
RT60201S - RT60801S STAINLESS

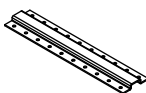
P. 3-10



T-BAR HANGER HEAVY DUTY

RTG7150 - RTG7750 STEEL *CAP 20.0 LBS*
RTG7150S - RTG7750S STAINLESS *CAP 20.0 LBS*

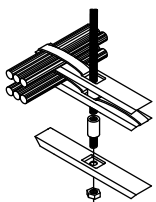
P. 3-6



CABLE SUPPORT HONEYCOMB DOUBLE

RT60201A - RT60801A ALUMINUM
RT60201 - RT60801 STEEL
RT60201S - RT60801S STAINLESS

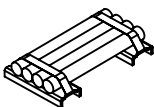
P. 3-11



T-BAR HANGER HEAVY DUTY INVERTED T

RTG17550 - RTG17750 STEEL *CAP 20.0 LBS*
RTG17550S - RTG17750S STAINLESS *CAP 20.0 LBS*

P. 3-7



CHANNEL HANGER

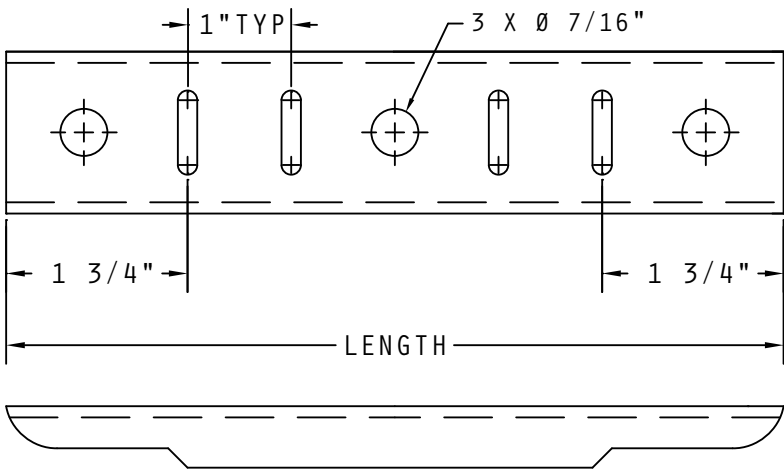
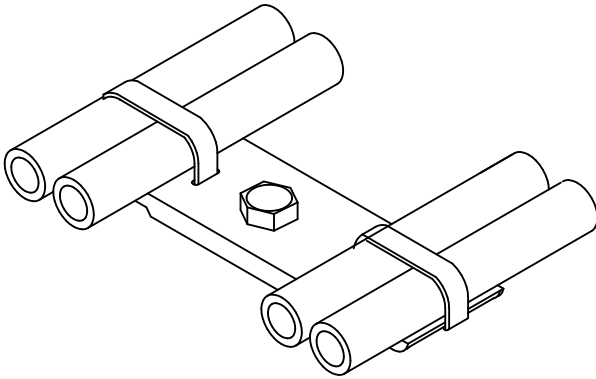
9C01S - 9C04S STEEL
9C01A - 9C04A STEEL

P. 3-12

INTERMEDIATE WIREWAYS

NOTES:

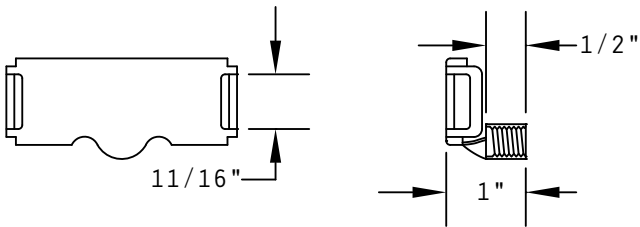
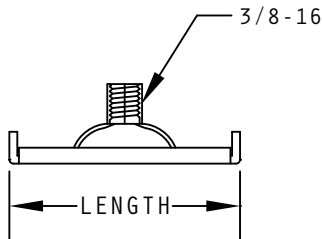
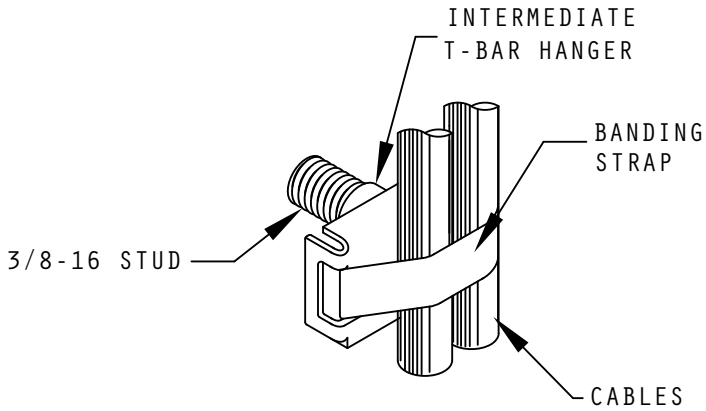
9T WIREWAY



LENGTH EVERY 2" FROM 6" TO 24"		
ALUMINUM	STEEL	STAINLESS
9TA06 - 9TA24	9T06 - 9T24	9TC06 - 9TC24

T - BAR HANGER

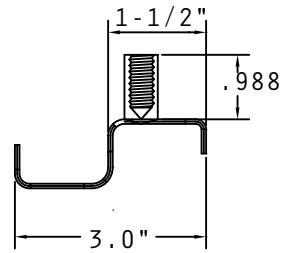
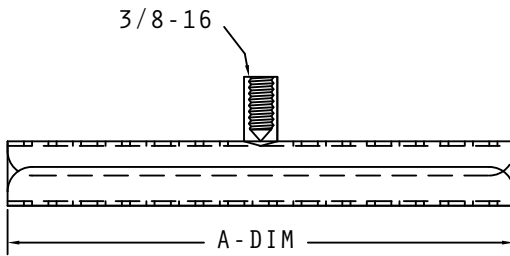
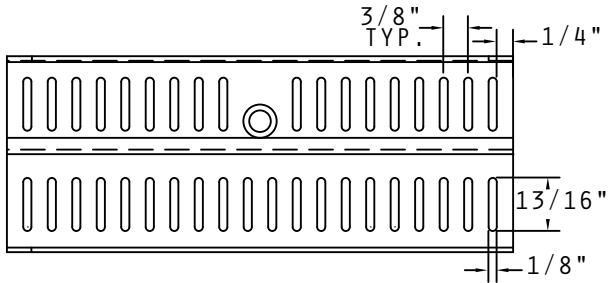
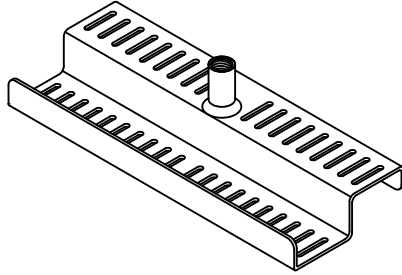
INTERMEDIATE



***** LIMITED AVAILABILITY *****

AVAILABLE IN 1" INCREMENTS FROM 1 1/2" TO 7 1/2"		
ALUMINUM	STEEL	STAINLESS
RTD7250A - RTD7750A	RTD7150 - RTD7750	RTD7350S - RTD7750S

SHOTGUN HANGER

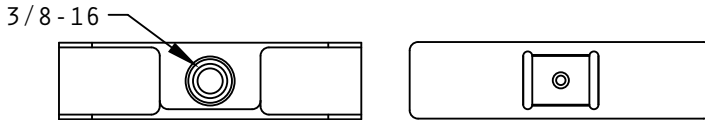
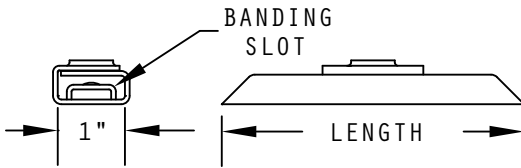
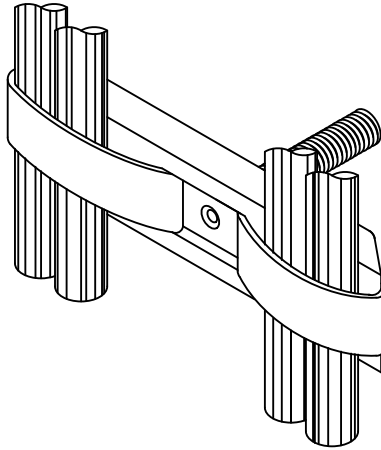


STEEL	STAINLESS STEEL	ALUMINUM	A
RTWSG30MS	RTWSG30SS	RTWSG30AL	3-1/4"
RTWSG50MS	RTWSG50SS	RTWSG50AL	4-3/4"
RTWSG70MS	RTWSG70SS	RTWSG70AL	7-3/4"

T - BAR HANGER

HEAVY DUTY

DESIGNED TO FOR LOADS UP TO 20 LBS

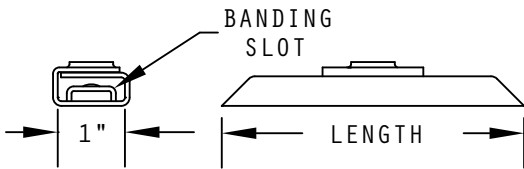
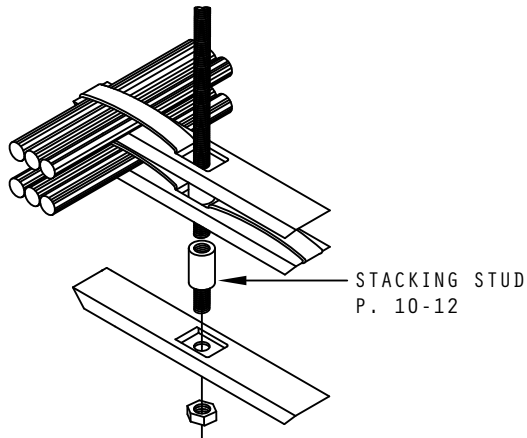


AVAILABLE IN 1" INCREMENTS FROM 1 1/2" - 7 1/2"	
STEEL	STAINLESS
RTG7150 - RTG7750	RTG7150S - RTG7750S

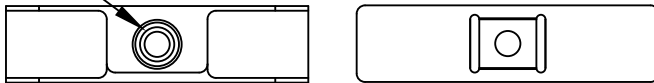
T - BAR HANGER

INVERTED T HEAVY DUTY

DESIGNED TO FOR LOADS UP TO 20 LBS



3/8-16 THREAD WITH THRU HOLE

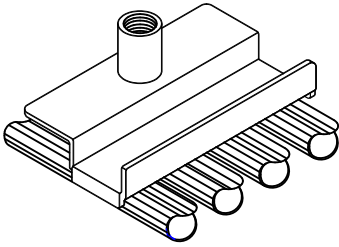


MAX LOAD: 2 TIER OFF BULKHEAD, 3 TIER OFF OVERHEAD

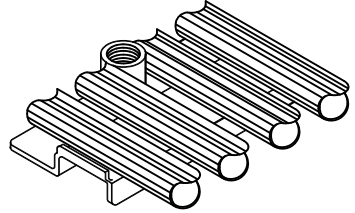
AVAILABLE IN 1" INCREMENTS FROM 2 1/2" - 7 1/2"	
STEEL	STAINLESS
RTGT7250 - RTGT7750	RTGT7250S - RTGT7750S

PLATE HANGER

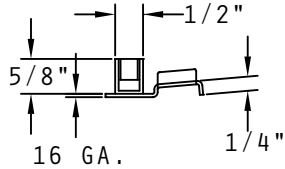
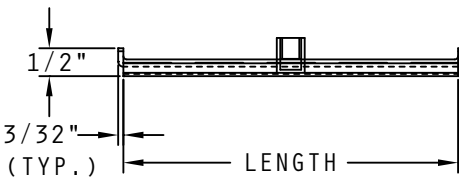
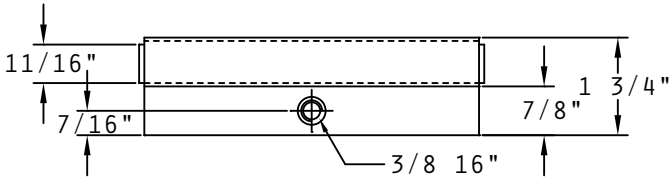
AVAILABLE IN TOP AND BOTTOM LOADING



BOTTOM LOADING

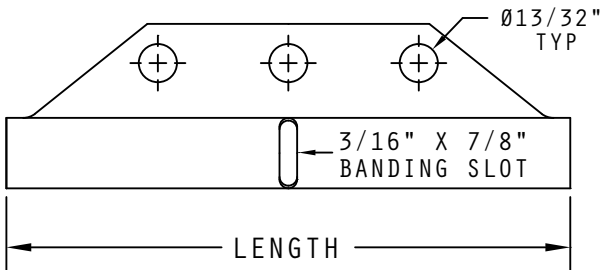
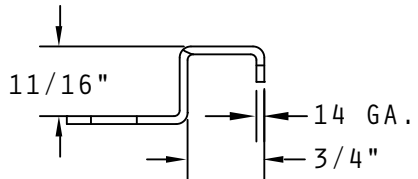
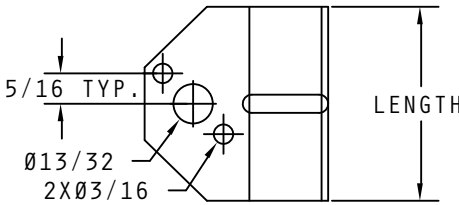
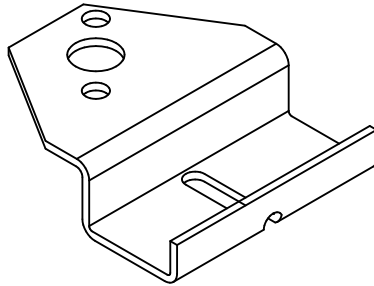


(INVERTED) TOP LOADING



AVAILABLE IN 1" INCREMENTS FROM 2" - 8"	
BOTTOM LOADING IN STEEL	TOP LOADING IN STEEL
RTW620B - RTW680B	RTW620T - RTW680T

CABLE SUPPORTS

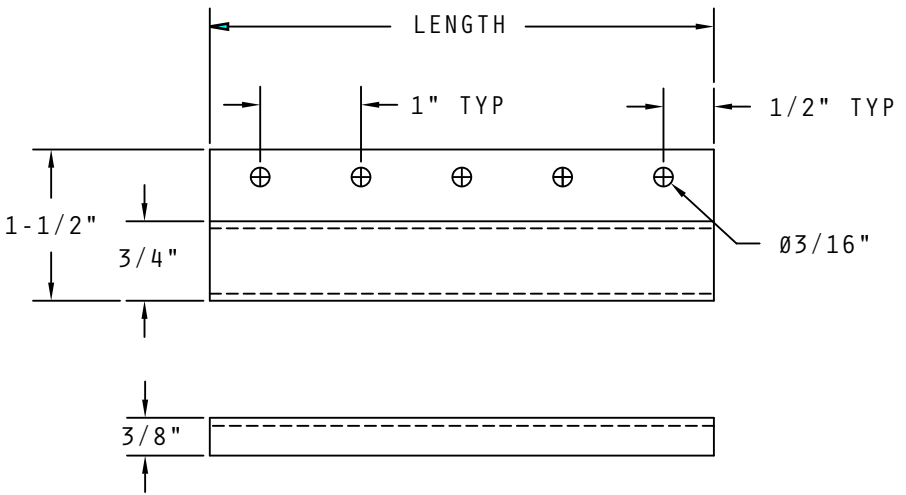
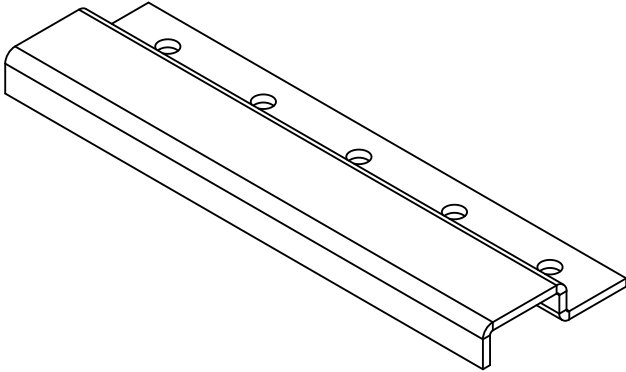


3/4" LENGTH HAS ONE MOUNT HOLE ONLY
 1" - 3" HAS ONE MOUNT HOLE AND TWO RIVET HOLES
 4" - 6" HAS TWO MOUNT HOLES AND TWO RIVIT HOLES

AVAILABLE IN 1/2" INCREMENTS FROM 3/4", 1" - 6"	
ALUMINUM	STEEL
RTD6075A - RTD6600A	RTD6075 - RTD6600

CABLE SUPPORT

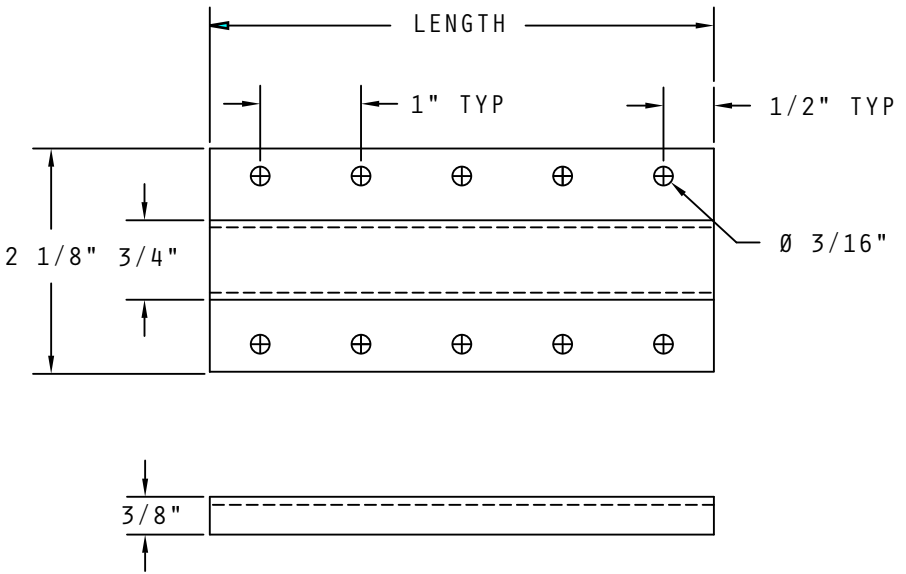
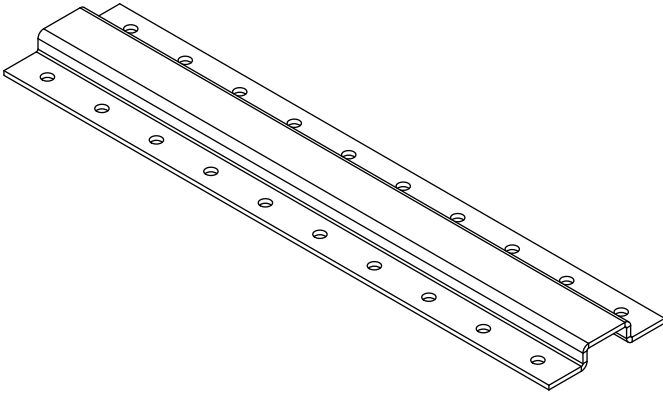
HONEY COMB SINGLE



AVAILABLE IN 1" INCREMENTS FROM 2" TO 8"		
ALUMINUM	STEEL	STAINLESS
RT60201A - RT60801A	RT60201 - RT60801	RT60201S - RT60801S

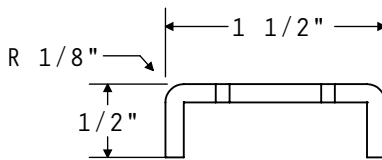
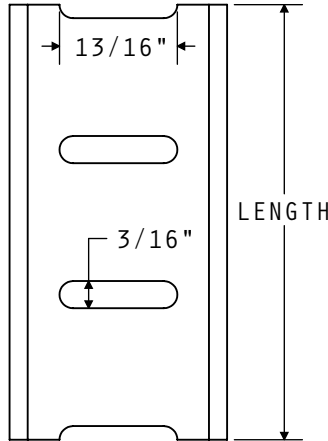
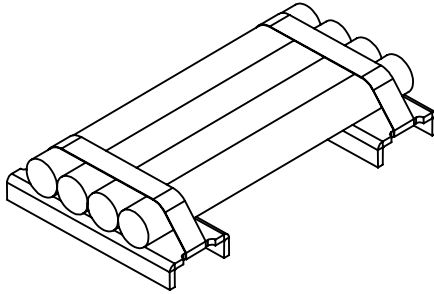
CABLE SUPPORT

HONEY COMB DOUBLE



AVAILABLE IN 1" INCREMENTS FROM 2" TO 8"		
ALUMINUM	STEEL	STAINLESS
RT60202A - RT60802A	RT60202 - RT60802	RT60202S - RT60802S

CHANNEL HANGER



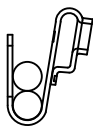
STEEL	ALUMINUM	LENGTH
9C01S	9C01A	1"
9C02S	9C02A	2"
9C03S	9C03A	3"
9C04S	9C04A	4"

LOCAL WIREWAYS

RESEARCH TOOL & DIE WORKS

17124 SOUTH KEEGAN AVE. CARSON, CA 90746
PH 310.639.5722 FX 310.639.9606
WWW.RTND.COM EMAIL CUSTSERV@RTND.COM

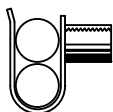
LOCAL WIREWAYS



PINCH HANGER GOLDEN LOKS

AVAILABLE IN 5 CONFIGURATIONS:
SINGLES
DOUBLES
TRIPLES
QUADS (2)

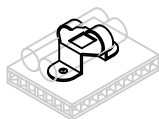
P. 4-3



PINCH HANGER WELDED

AVAILABLE IN 4 CONFIGURATIONS:
SINGLES
DOUBLES
TRIPLES
QUADS

P. 4-4



PINCH HANGER HONEYCOMB BULKHEAD

RTD8125 - RTD8450 STEEL
RTD8125S - RTD8450S STAINLESS

P. 4-5

LOCAL WIREWAYS

NOTES:

PINCH HANGER

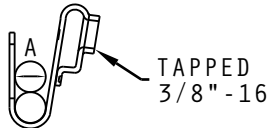
GOLDEN LOKS

SINGLE HANGER



STEEL	STAINLESS	A-DIA
RTGW1275	RTGW1275S	.275
RTGW1358	RTGW1358S	.371
RTGW1531	RTGW1531S	.531
RTGW1680	RTGW1680S	.680
RTGW1750	RTGW1750S	.750
RTGW1900	RTGW1900S	.900
RTGW1224	RTGW1224S	1.224

DOUBLE HANGER



STEEL	STAINLESS	A-DIA
RTGW2275	RTGW2275S	.275
RTGW2358	RTGW2358S	.371
RTGW2531	RTGW2531S	.531
RTGW2680	RTGW2680S	.680
RTGW2750	RTGW2750S	.750
RTGW2900	RTGW2900S	.900
RTGW2000	RTGW2000S	1.000

TRIPLE HANGER



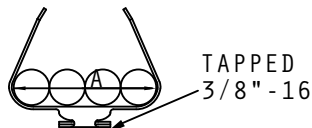
STEEL	STAINLESS	A-DIA
RTGW3358	RTGW3358S	.358
RTGW3531	RTGW3531S	.531

QUAD HANGER



STEEL	STAINLESS	A-DIA
RTG4531	RTG4531S	2 x .531

QUAD HANGER

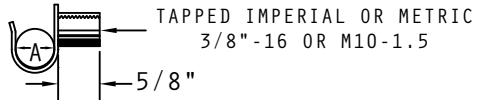


STEEL	STAINLESS	A-DIA
RTG5750	RTG5750S	4 X .75

PINCH HANGER

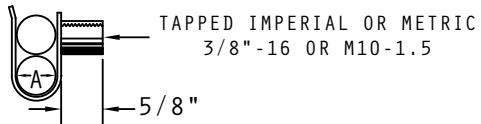
WELDED

SINGLE HANGER



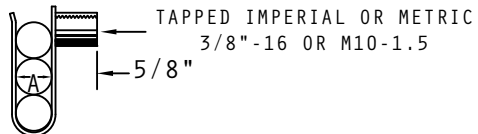
STEEL	STEEL (M)	STAINLESS	STAINLESS (M)	A-DIA
RTW1275	RTM1275	RTW1275S	RTM1275S	.275
RTW1358	RTM1358	RTW1358S	RTM1358S	.371
RTW1531	RTM1531	RTW1531S	RTM1531S	.531
RTW1680	RTM1680	RTW1680S	RTM1680S	.680
RTW1750	RTM1750	RTW1750S	RTM1750S	.750
RTW1900	RTM1900	RTW1900S	RTM1900S	.900
RTW1224	RTM1224	RTW1224S	RTM1224S	1.224

DOUBLE HANGER



STEEL	STEEL (M)	STAINLESS	STAINLESS (M)	A-DIA
RTW2275	RTM2275	RTW2275S	RTM2275S	.275
RTW2358	RTM2358	RTW2358S	RTM2358S	.371
RTW2531	RTM2531	RTW2531S	RTM2531S	.531
RTW2680	RTM2680	RTW2680S	RTM2680S	.680
RTW2750	RTM2750	RTW2750S	RTM2750S	.750
RTW2900	RTM2900	RTW2900S	RTM2900S	.900
RTW2000	RTM2000	RTW2000S	RTM2000S	1.224

TRIPLE HANGER



STEEL	STEEL (M)	STAINLESS	STAINLESS (M)	A-DIA
RTW3531	RTM3531	RTW3531S	RTM3531S	.531

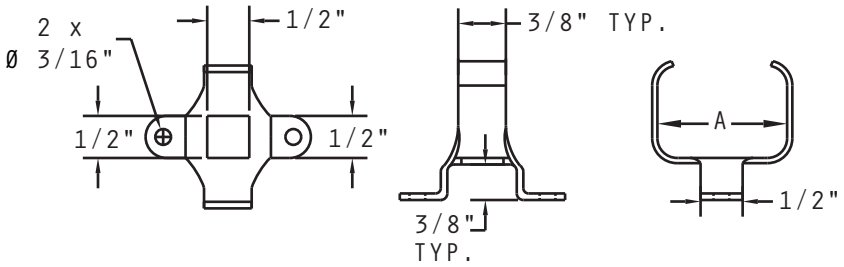
QUAD HANGER



STEEL	STEEL (M)	STAINLESS	STAINLESS (M)	A-DIA
RTW4531	RTM4531	RTW4531S	RTM4531S	2 x .531

PINCH HANGER

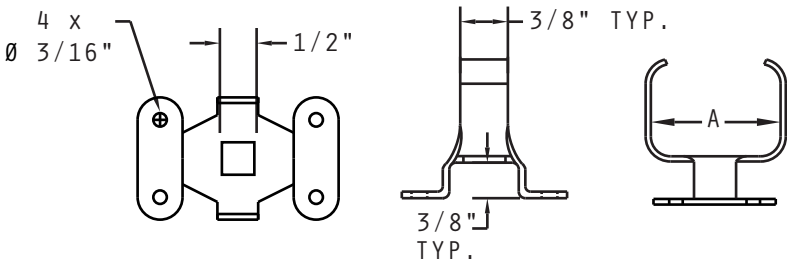
HONEYCOMB BULKHEAD



STEEL	STAINLESS	LEGS	CABLES	A-DIM	RIVET SIZE
RTD8125	RTD8125S	1	1	.300	4
RTD8150	RTD8150S	1	1	.550	6
RTD8250	RTD8250S	2	2	1.100	6
RTD8350	RTD8350S	2	3	1.650	6
RTD8450	RTD8450S	2	4	2.200	6

HONEYCOMB BULKHEAD MODIFIED

2 MOUNTING HOLES ON EACH SIDE



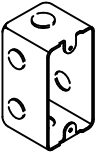
STEEL	STAINLESS	LEGS	CABLES	A-DIM	RIVET SIZE
RTD8150M	RTD8150SM	1	1	.550	6
RTD8250M	RTD8250SM	2	2	1.100	6
RTD8350M	RTD8350SM	2	3	1.650	6
RTD8450M	RTD8450SM	2	4	2.200	6

ELECTRICAL BOXES

RESEARCH TOOL & DIE WORKS

17124 SOUTH KEEGAN AVE. CARSON, CA 90746
PH 310.639.5722 FX 310.639.9606
WWW.RTND.COM EMAIL CUSTSERV@RTND.COM

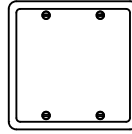
ELECTRICAL BOXES



SINGLE GANG OUTLET BOX

BX42XXXX
COMPLIES WITH UL-514A
COMPLIES WITH S6202-73980
METHOD 3575 - SYMBOL: 406.2

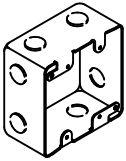
P. 5-3



TWO GANG BOX COVERS

BX44COV4K STEEL
BX44COVA ALUMINUM

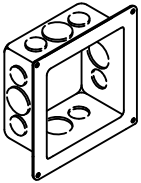
P. 5-7



TWO GANG OUTLET BOX

BX448XXX
COMPLIES WITH UL-514A
COMPLIES WITH S6202-73980
METHOD 3575 - SYMBOL: 406.1

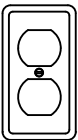
P. 5-4



OVERSIZE JUNCTION BOX

BX552CPS STEEL

P. 5-5



SINGLE GANG BOX COVERS

BX42COVTK STEEL BX42COVTA ALUMINUM
BX42COVKK STEEL
BX42COVBK STEEL BX42COVA ALUMINUM
BX42COVDK STEEL BX42COVDA ALUMINUM

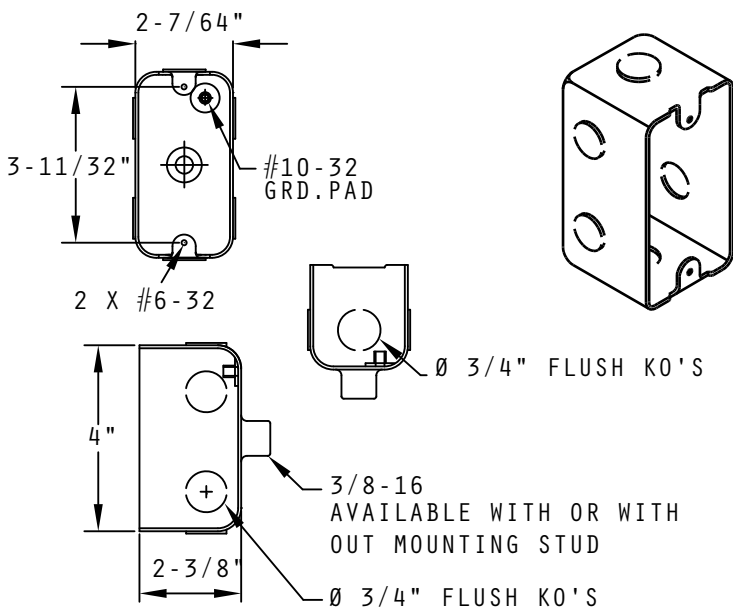
P. 5-6

ELECTRICAL BOXES

NOTES:

SINGLE GANG OUTLET BOX

WITH OR WITH OUT STUD



DRAWN 2x4 RECTANGULAR UTILITY BOXES ARE AVAILABLE WITH WELDED STUDS FOR EASY MOUNTING TO THE SHIP'S BULKHEAD. STEEL BOXES ARE ELECTROGALVANIZED.

EACH 3/4 INCH KNOCKOUT IS PUNCHED OUTWARDS SO NO SLUGS WILL FALL INTO THE BOX. MOUNTING STUD IS FEMALE TYPE, SIZE 3/8-16. ALL BOXES ARE EQUIPPED WITH A GROUND PAD SUITABLE FOR A #10-32 SCREW. A VARIETY OF STAMPED STEEL OR ALUMINUM COVERS ARE AVAILABLE IN BLANK, DUPLEX RECEPTACLE, AND TOGGLE SWITCH CONFIGURATIONS.

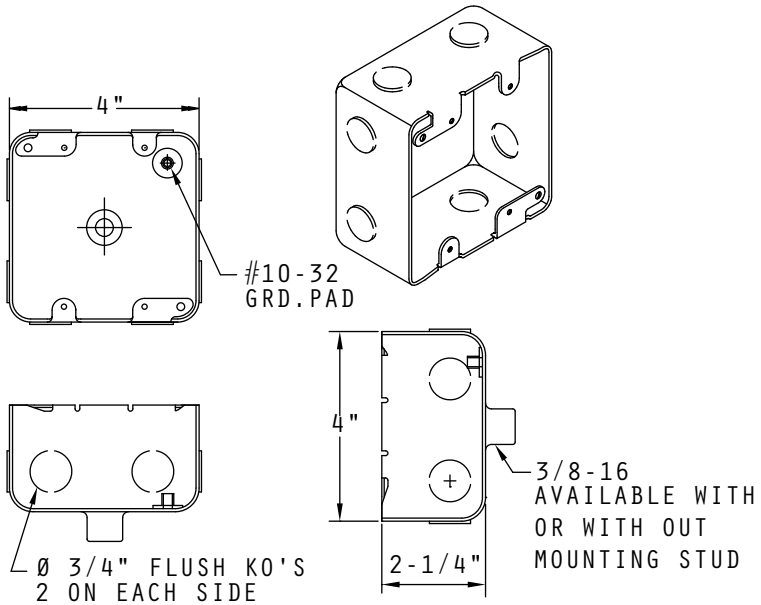
COMPLIES WITH UL-514A - SYMBOL # 406.2
COMPLIES WITH S6202-73980 - METHOD 3575

STEEL			
PART #	# KNOCKOUTS	STUD	COVER
BX422XXS	2		
BX422XPS	2	•	
BX422CPS	2	•	•
BX426XXI	6		
BX426XPI	6	•	

ALUMINUM			
PART #	# KNOCKOUTS	STUD	COVER
BX422XXA	2		
BX422XPA	2	•	
BX422CPA	2	•	•

TWO GANG OUTLET BOX

WITH OR WITH OUT STUD



DRAWN 4x4 SQUARE UTILITY BOXES ARE AVAILABLE WITH WELDED STUDS FOR EASY MOUNTING TO THE SHIP'S BULKHEAD. STEEL BOXES ARE ELECTROGALVANIZED.

EACH 3/4 INCH KNOCKOUT IS PUNCHED OUTWARDS SO NO SLUGS WILL FALL INTO THE BOX. MOUNTING STUD IS FEMALE TYPE, SIZE 3/8-16. ALL BOXES ARE EQUIPPED WITH A GROUND PAD SUITABLE FOR A #10-32 SCREW. A VARIETY OF STAMPED STEEL OR ALUMINUM COVERS ARE AVAILABLE IN BLANK, DUPLEX RECEPTACLE, AND TOGGLE SWITCH CONFIGURATIONS.

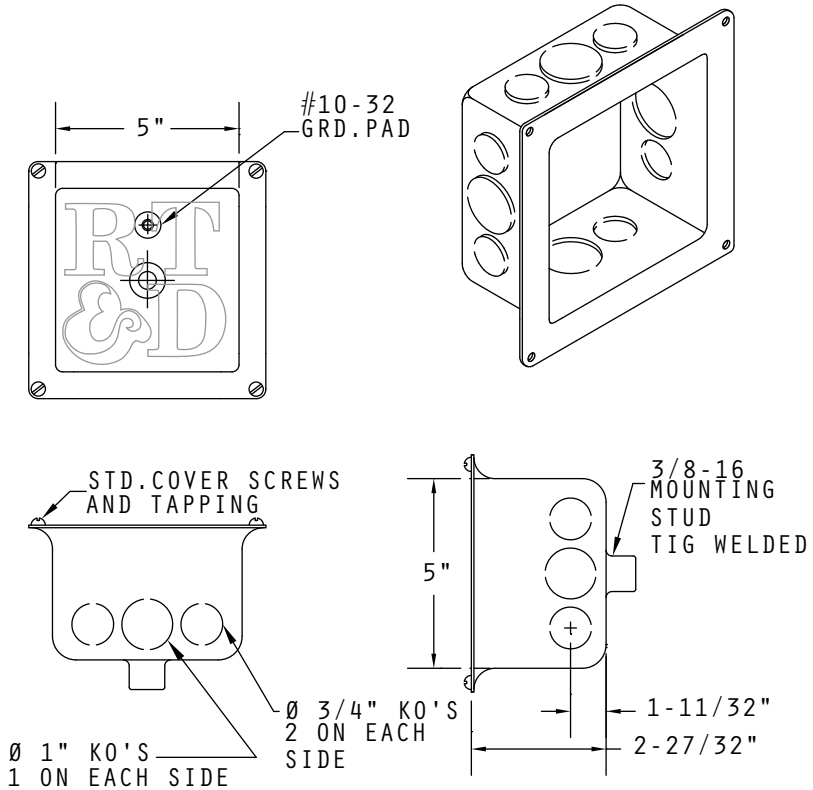
COMPLIES WITH UL-514A - SYMBOL # 406.1
COMPLIES WITH S6202-73980 - METHOD 3575

STEEL			
PART #	# KNOCKOUTS	STUD	COVER
BX448XXI	8		
BX448XPI	8	•	
BX448CPS	8	•	•

ALUMINUM			
PART #	# KNOCKOUTS	STUD	COVER
BX448XPA	8	•	
BX448XXA	8		

OVERSIZE JUNCTION BOX

WITH STUD AND COVER

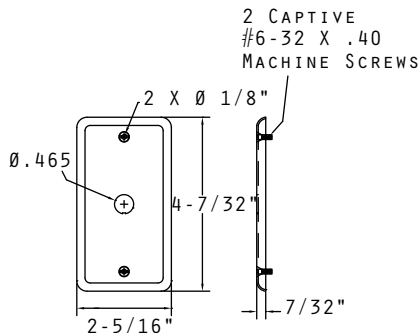
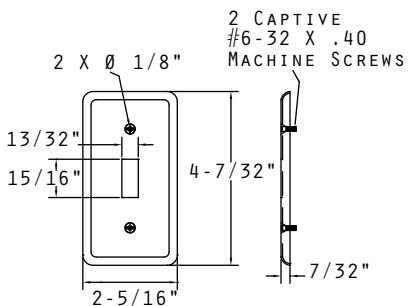


DRAWN STEEL 5x5 OVERSIZE SQUARE UTILITY BOXES HAVE WELDED STUDS FOR EASY MOUNTING TO THE SHIP'S BULKHEAD. BOXES ARE ELECTROGALVANIZED.

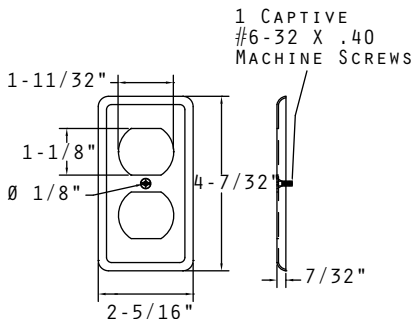
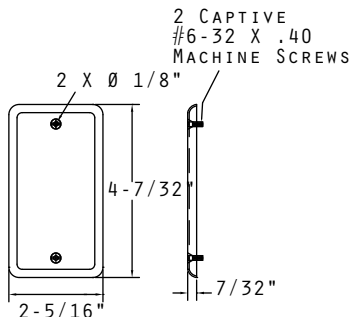
EACH 3/4 AND 1 INCH KNOCKOUT IS PUNCHED OUTWARDS SO NO SLUGS WILL FALL INTO THE BOX. MOUNTING STUD IS FEMALE TYPE, SIZE 3/8-16. ALL BOXES ARE EQUIPPED WITH A GROUND PAD SUITABLE FOR A #10-32 SCREW. A BLANKED STAMPED STEEL COVER IS INCLUDED.

STEEL			
PART #	# KNOCKOUTS	STUD	COVER
BX552CPS	12	•	•

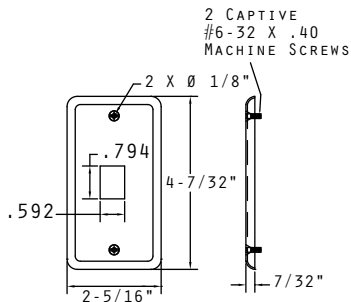
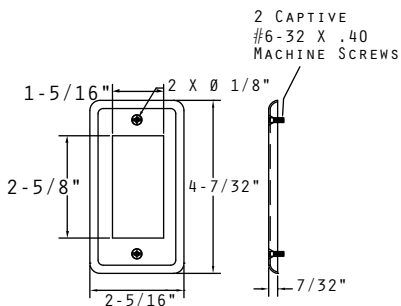
SINGLE GANG BOX COVER



STEEL	ALUMINUM	STEEL
BX42COVTK	BX42COVTA	BX42COVKK

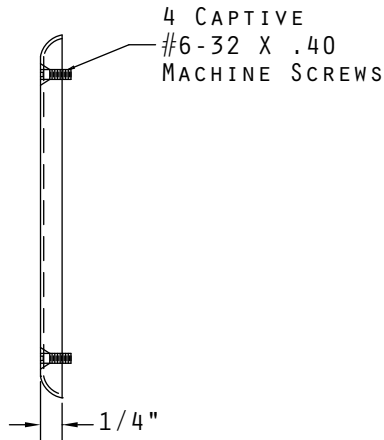
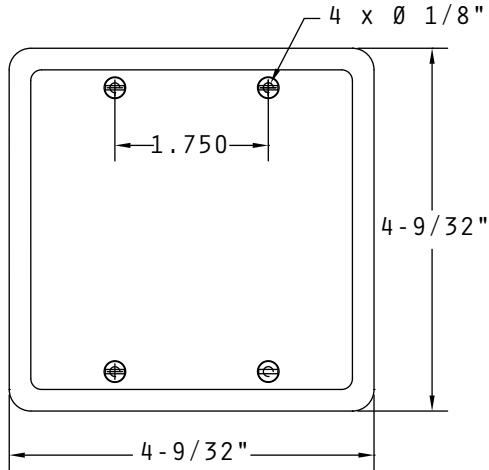


STEEL	ALUMINUM	STEEL	ALUMINUM
BX42COVBK	BX42COVA	BX42COVDK	BX42COVDA



STEEL	STEEL
BX42COVG	BX42COVRJ

TWO GANG BOX COVER



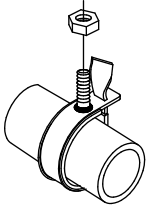
STEEL	ALUMINUM
BX44COV4K	BX44COVA

PIPE AND
VENTILATION SUPPORT

RESEARCH TOOL & DIE WORKS

17124 SOUTH KEEGAN AVE. CARSON, CA 90746
PH 310.639.5722 FX 310.639.9606
WWW.RTND.COM EMAIL CUSTSERV@RTND.COM

PIPE AND VENTILATION



KEY LOCK
PIPE HANGER
STUD MOUNT

PHK025S - PHK300S STEEL

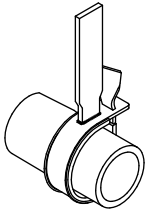
P. 6-3



LEG SUPPORT

EFBB24SA - EFBB36SA STEEL

P. 6-7



KEY LOCK
PIPE HANGER
WELD MOUNT

PWK025S - PWK300S STEEL

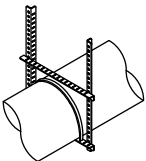
P. 6-4



HANGER LEG SUPPORT
HEAVY DUTY
WELD STUD TYPE

SPB10S - SPB36S STEEL

P. 6-8



HVAC DUCTING
HANGER

QHVAC36 STEEL

P. 6-5



HANGER LEG SUPPORT
HEAVY DUTY
WELD STUD TYPE

EFS112B - EFS148B STEEL

EFS212B - EFS248B STEEL

P. 6-6

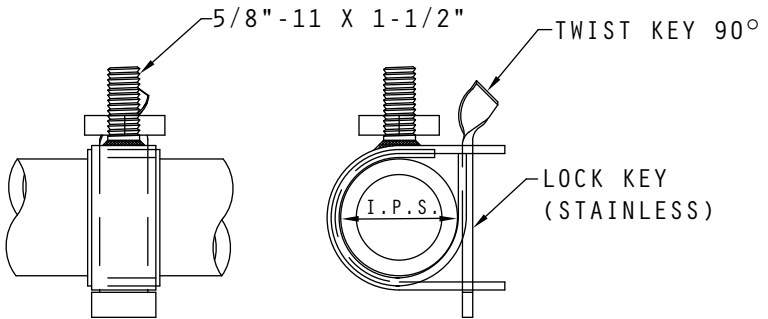
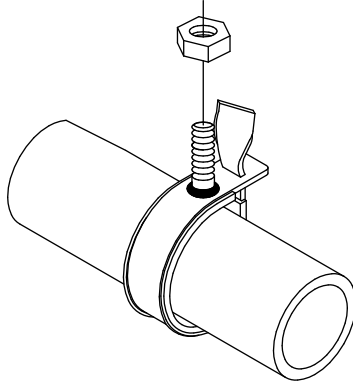
PIPE AND VENTILATION SUPPORT

NOTES:

KEY LOCK PIPE HANGER

STUD MOUNT

USED WITH SPBXXS OR EFS2XXB

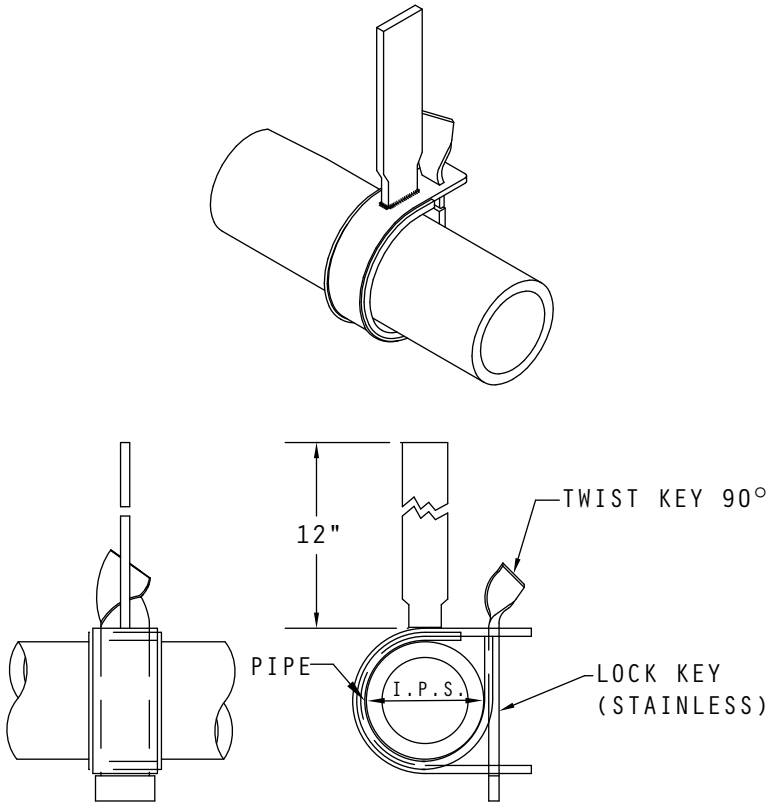


LINER NOT INCLUDED

STEEL	
PART NUMBER	I.P.S. SIZE
PHK025S	1/4"
PHK038S	3/8"
PHK050S	1/2"
PHK075S	3/4"
PHK100S	1"
PHK125S	1 1/4"
PHK150S	1 1/2"
PHK200S	2"
PHK250S	2 1/2"
PHK300S	3"

KEY LOCK PIPE HANGER

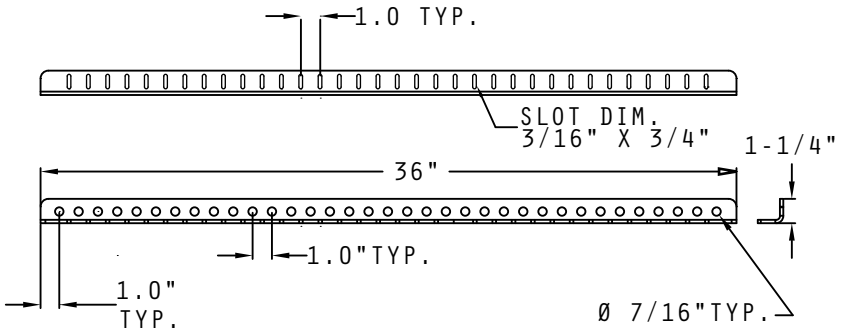
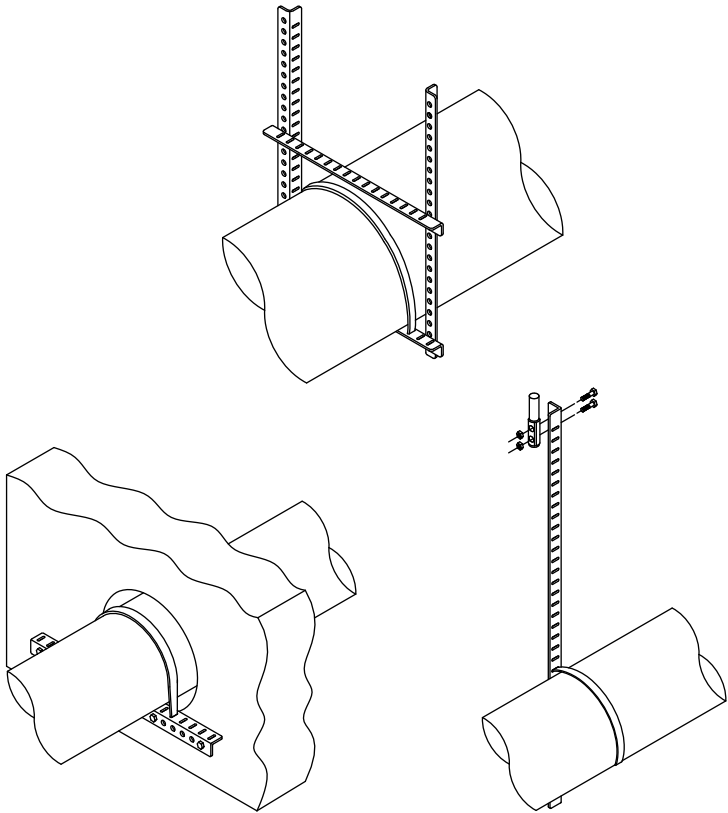
WELD MOUNT



LINER NOT INCLUDED

STEEL	
PART NUMBER	I.P.S. SIZE
PWK025S	1/4"
PWK038S	3/8"
PWK050S	1/2"
PWK075S	3/4"
PWK100S	1"
PWK125S	1 1/4"
PWK150S	1 1/2"
PWK200S	2"
PWK250S	2 1/2"
PWK300S	3"

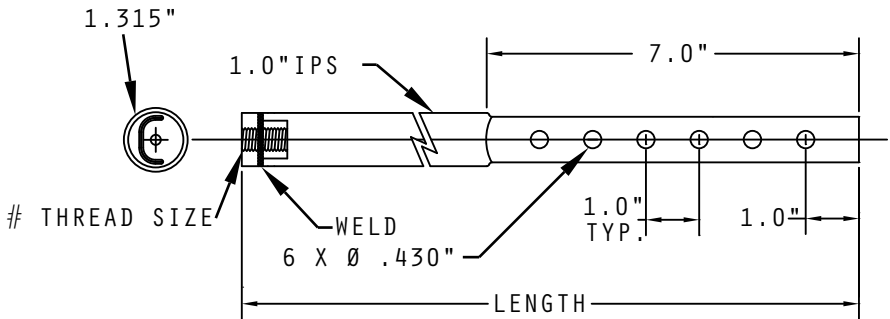
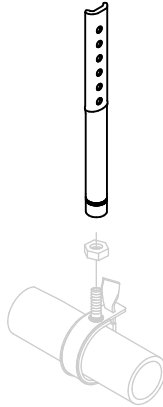
HVAC DUCTING HANGER



STEEL
PART NUMBER
QHVC36

HANGER LEG SUPPORT

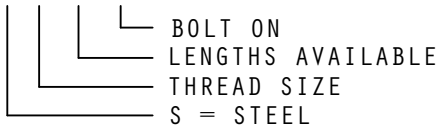
HEAVY DUTY WELD STUD (BOLT ON) TYPE



CATALOG NUMBERING SYSTEM (FOR EACH LEG)

SAMPLE CATALOG NUMBER:

EF S # ** B

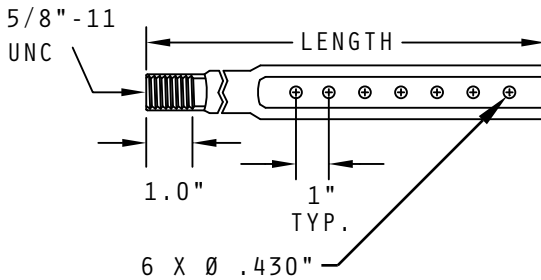
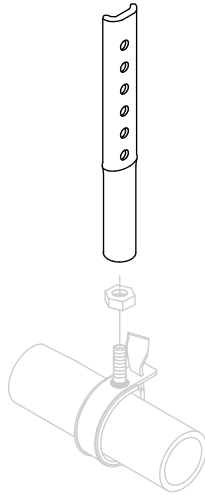


ADDITIONAL LENGTHS AND MATERIALS AVAILABLE

AVAILABLE IN 6" INCREMENTS FROM 12" TO 48"	
STEEL	
PART NUMBER	THREAD SIZE
EFS112B - EFS148B	I.P.S 1.0" PIPE THREAD
EFS212B - EFS248B	5/8" - 11 U.N.C.

HANGER LEG SUPPORT

LIGHT DUTY WELD STUD (BOLT ON) TYPE



CATALOG NUMBERING SYSTEM (FOR EACH LEG)

SAMPLE CATALOG NUMBER:

SP B ** S

S = STEEL
LENGTHS AVAILABLE
BOLT ON APPLICATION
LIGHT DUTY

ADDITIONAL LENGTHS AND MATERIALS AVAILABLE

AVAILABLE FROM 10" TO 48"

STEEL

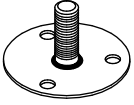
SPB10S - SPB36S

ACCESSORIES

RESEARCH TOOL & DIE WORKS

17124 SOUTH KEEGAN AVE. CARSON, CA 90746
PH 310.639.5722 FX 310.639.9606
WWW.RTND.COM EMAIL CUSTSERV@RTND.COM

ACCESSORIES



STUD PLATE
3 HOLE MOUNT

RT138A10 - RT138A20-1 ALUMINUM
RT138C10 - RT138C20-1 STAINLESS

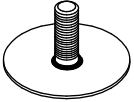
P. 7-3



SADDLES

S1025S - S3125ST STEEL
S1025A - S3125AT ALUMINUM
S1025SS - S3125SST STAINLESS

P. 7-8



STUD PLATE
GLUE MOUNT

CB138A10 - CB138A20-1 ALUMINUM
CB138C10 - CB138C20-1 STAINLESS

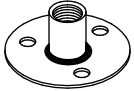
P. 7-4



THIMBLES

CM003069 - CM427800 COPPER

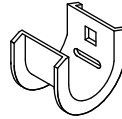
P. 7-9



TAPPED PAD PLATE
3 HOLE MOUNT

RT138AT1 - RT138AT2-1 ALUMINUM
RT138CT1 - RT138CT2-1 STAINLESS

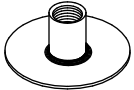
P. 7-5



DEGAUSSING CABLE
HANGER

DUS-7 - DUS-0 STEEL
DUSS-7 - DUSS-0 STAINLESS

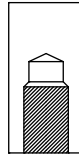
P. 7-10



TAPPED PAD PLATE
GLUE MOUNT

CB138ATP - CB438ATP ALUMINUM
CB138CTP - CB438CTP STAINLESS

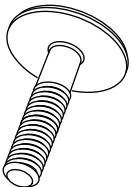
P. 7-6



TAPPED PADS

W1011/4 - W1031/2 ALUMINUM

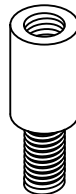
P. 7-11



HONEYCOMB STUD

RB438C15 STAINLESS

P. 7-7



STACKING STUD

PHS030S33 - PHS030S55 STEEL
PHS030C33 - PHS030C55 STAINLESS

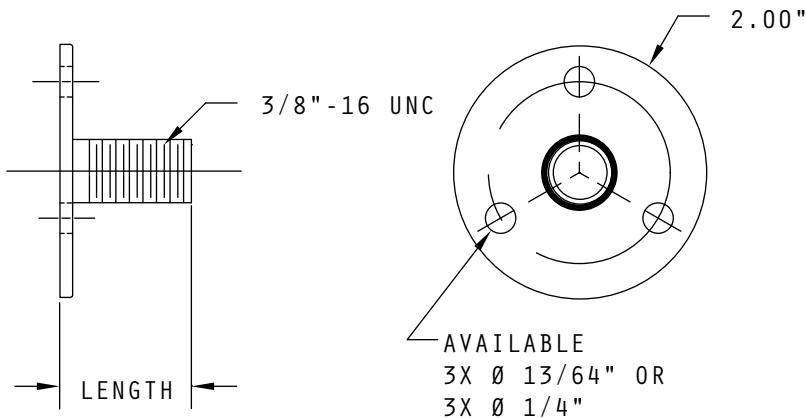
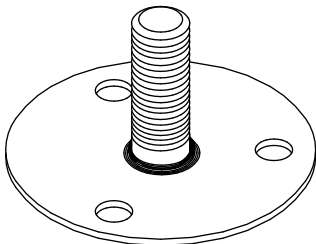
P. 7-12

ACCESSORIES

NOTES:

STUD PLATE

3 HOLE MOUNT

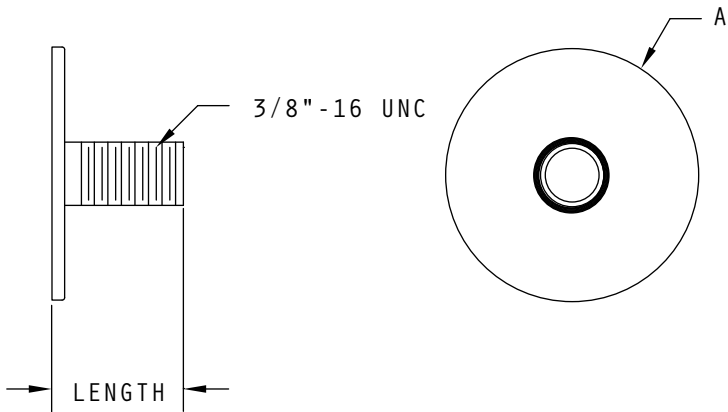
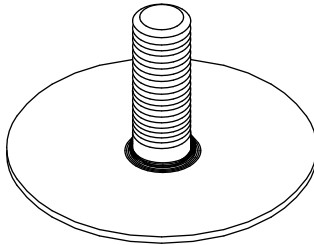


ADDITIONAL THREAD SIZE AND DIAMETERS AVAILABLE

AVAILABLE IN 1/2" INCRIMENTS FROM 1" TO 2"			
PART NUMBER			
ALUMINUM	STAINLESS	LENGTH	HOLE DIA.
RT138A10	RT138C10	1"	13/64"
RT138A15	RT138C15	1 1/2"	13/64"
RT138A20	RT138C20	2"	13/64"
RT138A10-I	RT138C10-I	1"	1/4"
RT138A15-I	RT138C15-I	1 1/2"	1/4"
RT138A20-I	RT138C20-I	2	1/4"

STUD PLATE

GLUE MOUNT

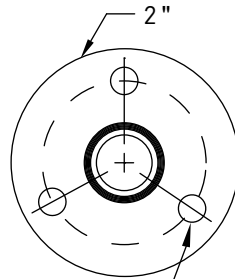
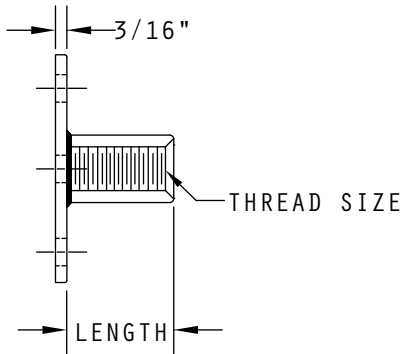
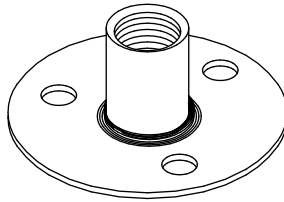


NO GLUE OR APPLICATOR INCLUDED WITH PART
ADDITIONAL THREAD SIZE AND DIAMETERS AVAILABLE

AVAILABLE IN 1", 1 1/2", AND 2"			
PART NUMBER			
ALUMINUM	STAINLESS	LENGTH	A DIA.
CB138A10	CB138C10	1"	2"
CB138A15	CB138C15	1 1/2"	2"
CB138A20	CB138C20	2"	2"
CB438A10	CB438C10	1"	1 1/4"
CB438A15	CB438C15	1 1/2"	1 1/4"
CB438A20	CB438C20	2	1 1/4"

TAPPED PAD PLATE

THREE HOLE MOUNT



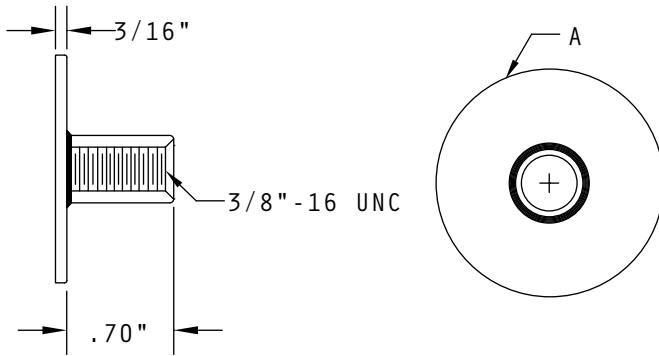
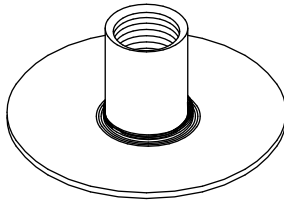
AVAILABLE
 3X Ø 13/64"
 OR 3X Ø 1/4"

ADDITIONAL THREAD SIZE AND DIAMETERS AVAILABLE

AVAILABLE IN 1/2" INCRIMENTS FROM 1" TO 2"				
PART NUMBER				
ALUMINUM	STAINLESS	THREAD SIZE	LENGTH	HOLE DIA.
RT138AT1	RT138CT1	3/8" - 16	1"	13/64"
RT138AT2	RT138CT2	3/8" - 16	2"	13/64"
RT138AT1-I	RT138CT1-I	3/8" - 16	1"	1/4"
RT138AT2-I	RT138CT2-I	3/8" - 16	2"	1/4"

TAPPED PAD PLATE

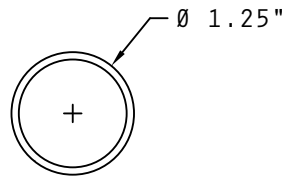
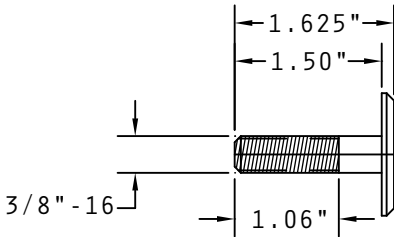
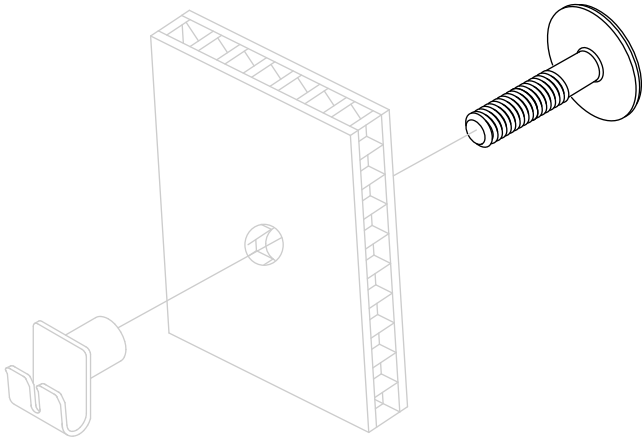
GLUE MOUNT



NO GLUE OR APPLICATOR INCLUDED WITH PART
ADDITIONAL THREAD SIZE AND DIAMETERS AVAILABLE

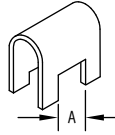
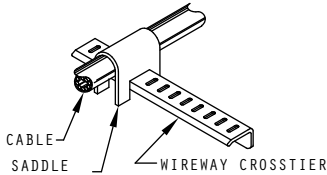
PART NUMBER		
ALUMINUM	STAINLESS	A DIA.
CB138ATP	CB138CTP	2"
CB438ATP	CB438CTP	1 1/4"

HONEYCOMB STUD



STAINLESS
RB438C15

SADDLES



SADDLE FOR NAVY STANDARD WIREWAY CROSSTIERS

A DIM - 1-13/16"				
STEEL	ALUMINUM	STAINLESS STEEL	NO. OF CABLES	DIA. OF CABLE
S1025S	S1025A	S1025SS	1	.25
S1050S	S1050A	S1050SS	1	.50
S1075S	S1075A	S1075SS	1	.75
S1100S	S1100A	S1100SS	1	1.00
S1125S	S1125A	S1125SS	1	1.25
S2025S	S2025A	S2025SS	2	.25
S2050S	S2050A	S2050SS	2	.50
S2075S	S2075A	S2075SS	2	.75
S2100S	S2100A	S2100SS	2	1.00
S2125S	S2125A	S2125SS	2	1.25
S3025S	S3025A	S3025SS	3	.25
S3050S	S3050A	S3050SS	3	.50
S3075S	S3075A	S3070SS	3	.75
S3100S	S3100A	S3100SS	3	1.00
S3125S	S3125A	S3125SS	3	1.25

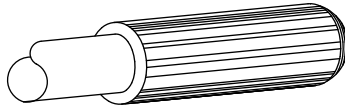
SADDLE FOR MOR, 9MAX, 3MAX, AND 9S CROSSTIERS

A DIM - 1-9/16"				
STEEL	ALUMINUM	STAINLESS STEEL	NO. OF CABLES	DIA. OF CABLE
S1025SM	S1025AM	S1025SSM	1	.25
S1050SM	S1050AM	S1050SSM	1	.50
S1075SM	S1075AM	S1075SSM	1	.75
S1100SM	S1100AM	S1100SSM	1	1.00
S1125SM	S1125AM	S1125SSM	1	1.25
S2025SM	S2025AM	S2025SSM	2	.25
S2050SM	S2050AM	S2050SSM	2	.50
S2075SM	S2075AM	S2075SSM	2	.75
S2100SM	S2100AM	S2100SSM	2	1.00
S2125SM	S2125AM	S2125SSM	2	1.25
S3025SM	S3025AM	S3025SSM	3	.25
S3050SM	S3050AM	S3050SSM	3	.50
S3075SM	S3075AM	S3070SSM	3	.75
S3100SM	S3100AM	S3100SSM	3	1.00
S3125SM	S3125AM	S3125SSM	3	1.25

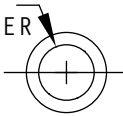
SADDLE FOR T-BAR HANGER

A DIM - 1-3/16"				
STEEL	ALUMINUM	STAINLESS STEEL	NO. OF CABLES	DIA. OF CABLE
S1025ST	S1025AT	S1025SST	1	.25
S1050ST	S1050AT	S1050SST	1	.50
S1075ST	S1075AT	S1075SST	1	.75
S1100ST	S1100AT	S1100SST	1	1.00
S1125ST	S1125AT	S1125SST	1	1.25
S2025ST	S2025AT	S2025SST	2	.25
S2050ST	S2050AT	S2050SST	2	.50
S2075ST	S2075AT	S2075SST	2	.75
S2100ST	S2100AT	S2100SST	2	1.00
S2125ST	S2125AT	S2125SST	2	1.25
S3025ST	S3025AT	S3025SST	3	.25
S3050ST	S3050AT	S3050SST	3	.50
S3075ST	S3075AT	S3070SST	3	.75
S3100ST	S3100AT	S3100SST	3	1.00
S3125ST	S3125AT	S3125SST	3	1.25

THIMBLES



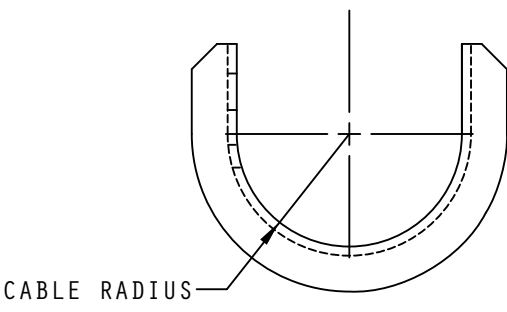
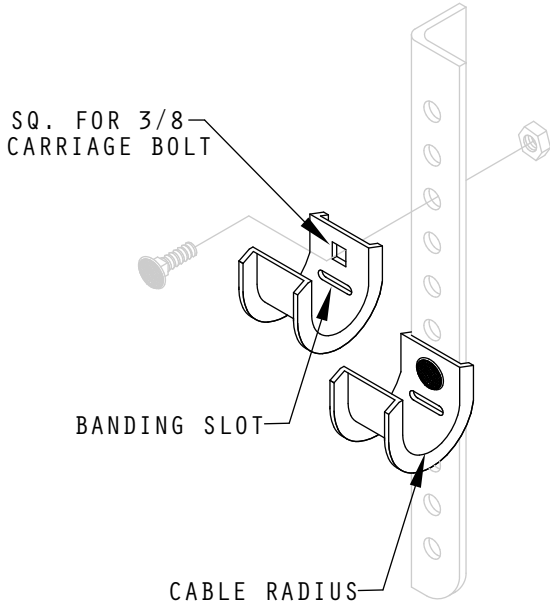
INSIDE
DIAMETER



ADDITIONAL SIZES AVAILABLE

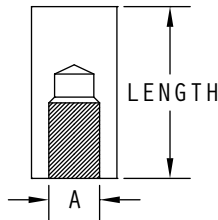
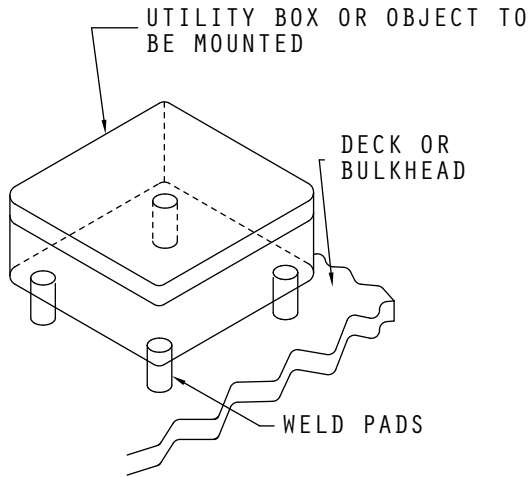
PART NUMBER	SIZE OF CABLE (CIR. MILS.)	INSIDE DIAMETER	LENGTH
CM003069	3,000	.069	1
CM004084	4,000	.084	1
CM009116	9,000	.116	1
CM011124	10,380	.124	1
CM013138	13,090	.138	1-1/2
CM014144	14,000	.144	1-1/2
CM021172	20,820	.172	1-1/2
CM023179	23,000	.179	1-1/2
CM030210	30,000	.210	1-1/2
CM030229	33,090	.229	1-1/2
CM040234	40,000	.234	1-1/2
CM040247	41,740	.247	1-1/2
CM050262	50,000	.262	2
CM050268	52,620	.268	2
CM060290	60,000	.290	2
CM060308	66,360	.308	2
CM075325	75,000	.325	2
CM075340	83,690	.340	2
CM100371	100,000	.371	2
CM100381	105,600	.381	2
CM125415	125,000	.415	2
CM125427	133,100	.427	2
CM150465	150,000	.465	2
CM150478	167,800	.478	2
CM200522	200,000	.522	2
CM200536	211,600	.536	2
CM250585	250,000	.585	2-1/2
CM300636	300,000	.636	2-1/2
CM350693	350,000	.693	2-1/2
CM400750	400,000	.750	2-1/2
CM427800	427,000	.800	2-1/2

DEGAUSSING CABLE HANGER



	PART NUMBER		CABLE RADIUS
	STEEL	STAINLESS	
DUS-7		DUSS-7	3/4"
DUSS-0		DUSS-0	1 1/4"

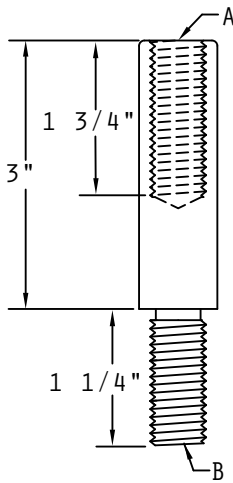
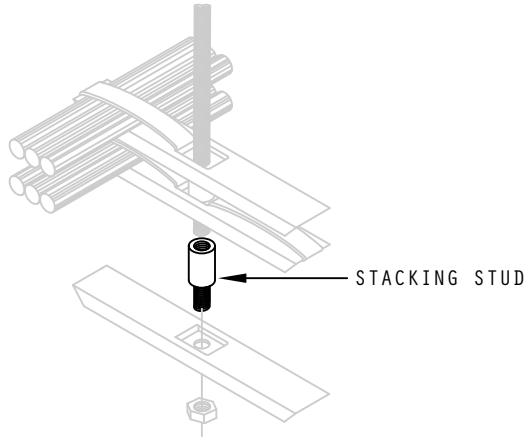
TAPPED PADS



ADDITIONAL SIZES AND MATERIALS AVAILABLE

PART NUMBER		
ALUMINUM	LENGTH	A
W1001/4	3/8"	1/4" 20
W1003/8	1/2"	3/8" 16
W1001/2	5/8"	1/2" 13
W1011/4	1	1/4" 20
W1013/8	1	3/8" 16
W1011/2	1	1/2" 13
W1021/4	2	1/4" 20
W1023/8	2	3/8" 16
W1021/2	2	1/2" 13
W1031/4	3	1/4" 20
W1033/8	3	3/8" 16
W1031/2	3	1/2" 13

STACKING STUD



STACKING STUDS FOR ADDING MULTIPLE TIERS			
STEEL	STAINLESS	A	B
PHS030S33	PHS030C33	3/8 - 16	3/8 - 16
PHS030S53	PHS030C53	5/8 - 11	3/8 - 16
PHS030S55	PHS030C55	5/8 - 11	5/8 - 11